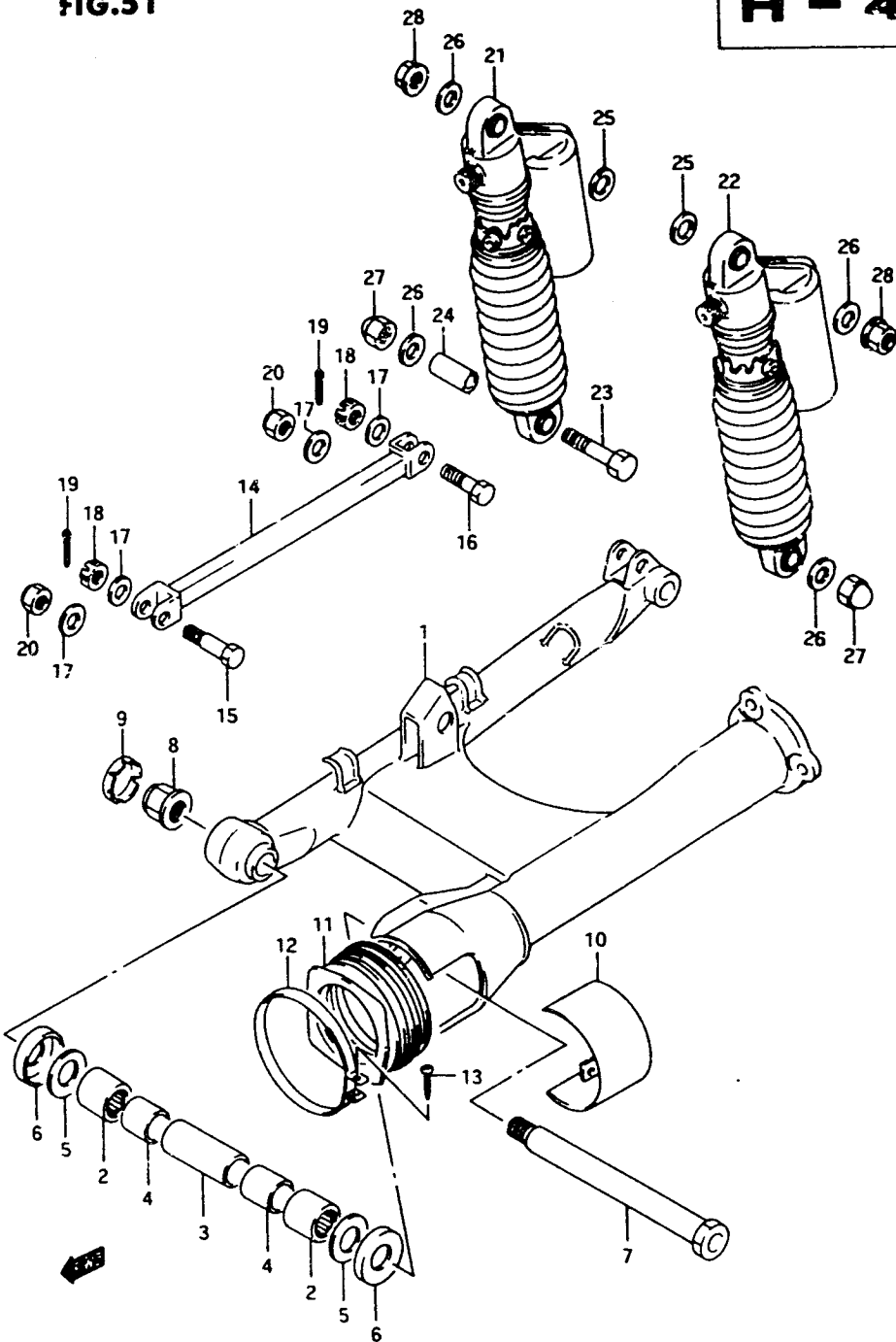


FIG.51

H-4

81

FIG.51 (H- 4) REAR SWINGING ARM (SEE NOTE)



REF.NO.	PART NO.	DESCRIPTION	Q'TY	REMARKS
21	62103-45C10	ABSORBER ASSY, rear shock RH	1	
22	62104-45C10	ABSORBER ASSY, rear shock LH	1	
23	09100-10247	BOLT, lower RH	1	
24	09180-10104	SPACER, lower RH	1	
25-1	08322-11148	WASHER, upper inner	2	model L/M/N/P
25-2	08322-01143	WASHER, upper inner	2	model R
26	09160-10001	WASHER, upper outer	4	
27-1	08313-11107	NUT, lower	2	model L/M/N/P
27-2	08313-10103	NUT, lower	2	model R
28-1	08316-16108	NUT, upper	2	model L/M/N/P
28-2	08316-10103	NUT, upper	2	model R

Note

E2,E4,E15,E16,E17,E18,E21,E22,E24,E25,E34,E39