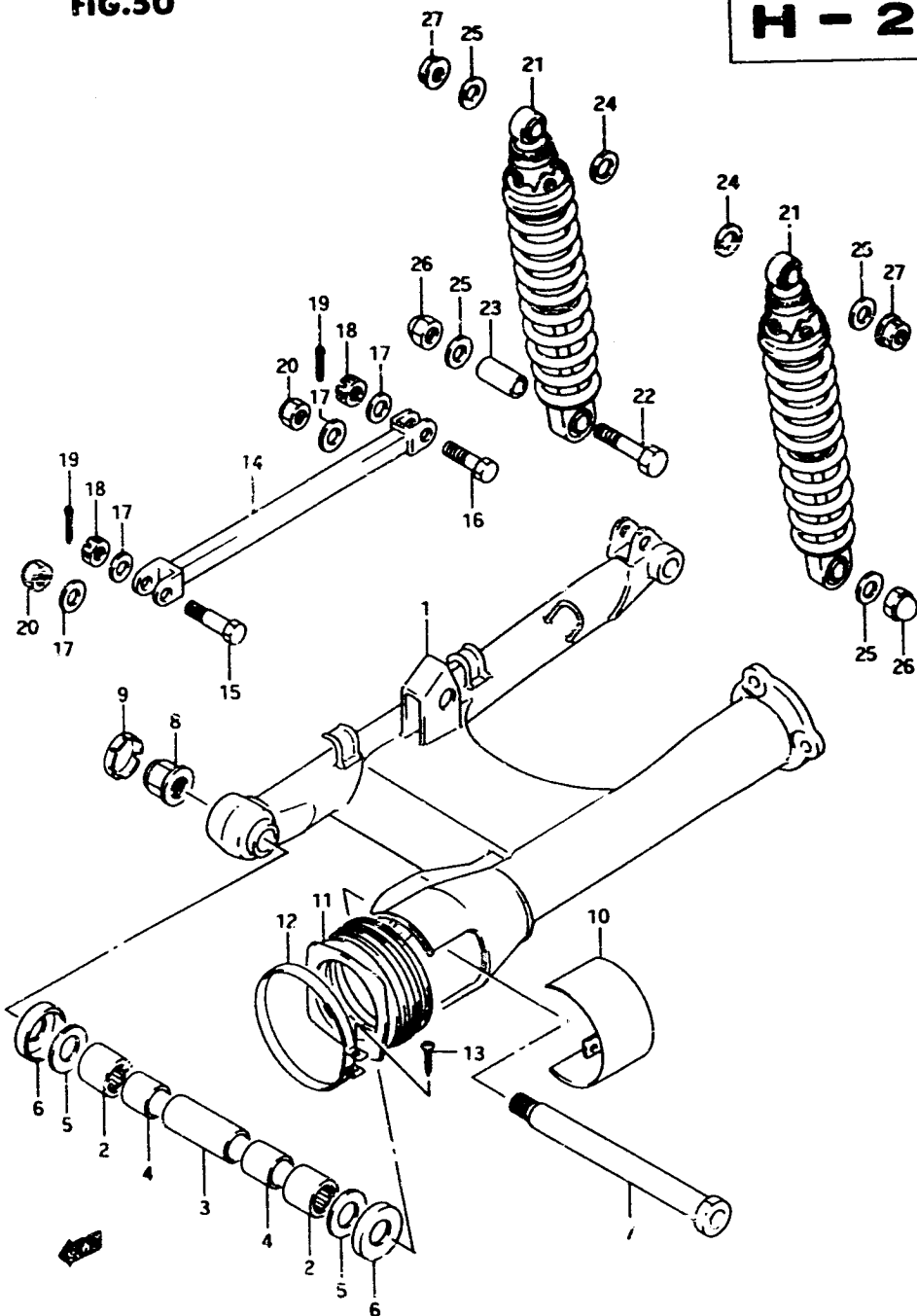


FIG.50

**H-2**

79

FIG.50 ( H-2) REAR SWINGING ARM (E1)



REF.NO.	PART NO.	DESCRIPTION	Q'TY	REMARKS
1-1	61100-45C03-13L	SWINGING ARM, rear (Silver)	1	model L
1-2	61100-45C03-23W	SWINGING ARM, rear (Silver)	1	model M/N
2	09263-25024	BEARING	2	
3	61282-45C01	SPACER, pivot center	1	
4	61251-17C00	SPACER, pivot	2	
5	08211-20381	WASHER	2	
6	61262-10D00	SEAL, pivot dust	2	
7	61211-45C01	SHAFT, pivot	1	
8	08319-31188	NUT	1	
9	61222-48B00	CAP, pivot RH	1	
10-1	61232-38A00-13L	COVER, pivot LH (silver)	1	model L
10-2	61232-38A00-23W	COVER, pivot LH (Silver)	1	model M/N
11	01372-38A00	BOOT, propeller shaft	1	
12	09402-92306	CLAMP	1	
13	03211-04255	SCREW	1	
14-1	64310-45C00-13L	TORQUELINK, rear (Silver)	1	model L
14-2	64310-45C00-23W	TORQUELINK, rear (Silver)	1	model M/N
15-1	09111-10016	BOLT, front	1	model L
15-2	09111-10051	BOLT, front	1	model M/N
16-1	09101-10036	BOLT, rear	1	model L
16-2	09100-10278	BOLT, rear	1	model M/N
17-1	09160-10069	WASHER	2	model L
17-2	08322-11107	WASHER	2	model M/N
18	08314-41108	NUT	2	model L
19	04111-20208	PIN, cotter	2	model L
20	09159-10027	NUT	2	model M/N
21	62100-45C20	ABSORBER ASSY, rear shock	2	
22	09100-10247	BOLT, lower RH	1	
23	09180-10104	SPACER, lower RH	1	
24	08322-11148	WASHER, upper inner	2	
25	09160-10001	WASHER, upper outer	4	
26	08313-11107	NUT, lower	2	
27	08316-16108	NUT, upper	2	

Refer to FIG.51 (H-3) for E2,E4,E15,E16,E17,E18,E21, E22,F24,E25,E34,E39

VX800R E2