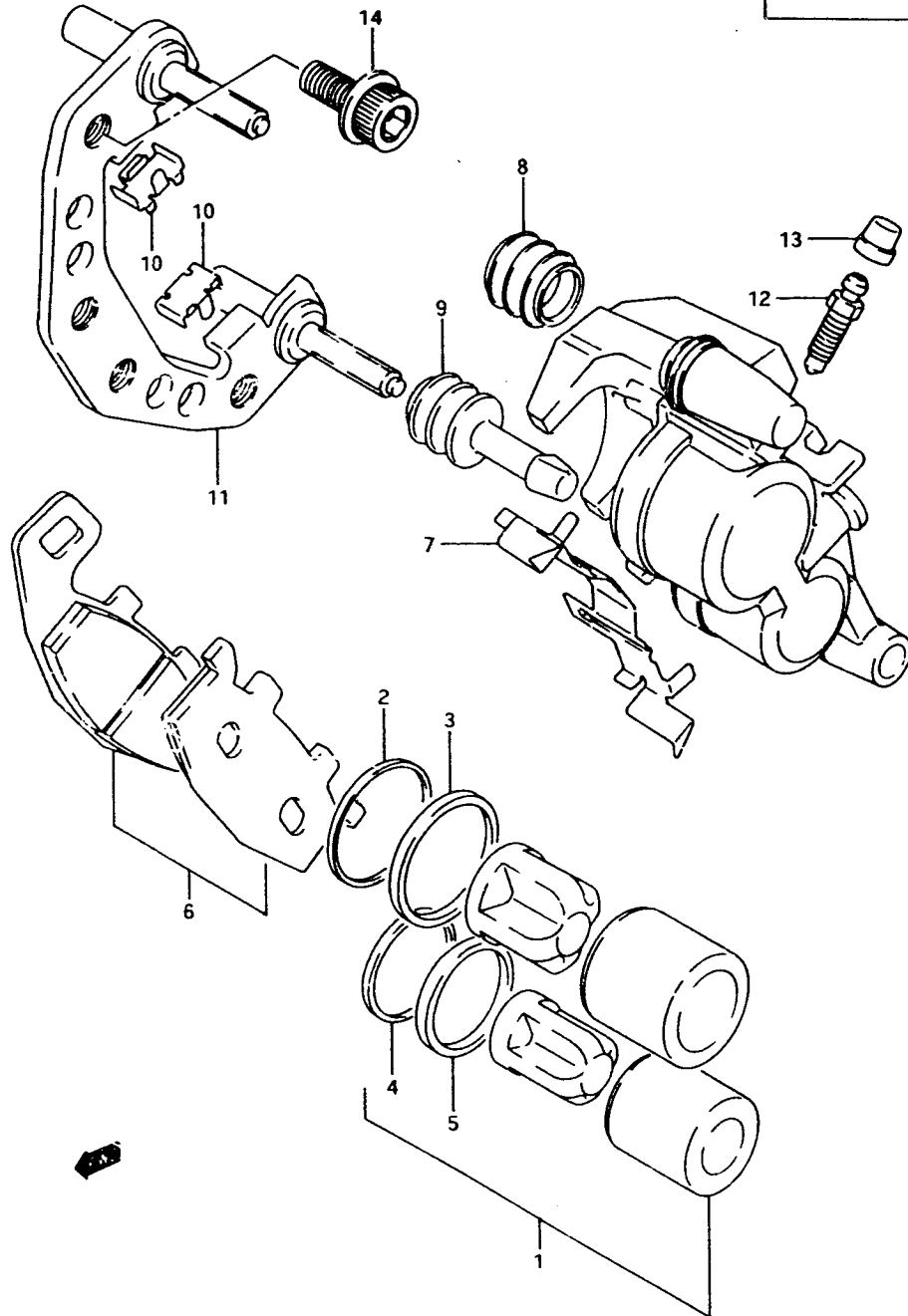


FIG.48

G - 13

76

FIG.48 (G-13) LEFT HANDLE SWITCH



REF.NO.	PART NO.	DESCRIPTION	Q'TY	REMARKS
	59300-45C00	CALIPER ASSY, front LH	1	
1	59100-01830	.PISTON SET	1	
2	59107-39100	..SEAL	1	
3	59108-36A70	..DUST SEAL	1	
4	59107-04A00	..SEAL	1	
5	59108-04A00	..DUST SEAL	1	
6	59701-40360	.PAD SET	1	
7	59113-01500	.SPRING	1	
8	59112-44200	.BOOT	1	
9	59113-01500	.INSULATOR, axle	1	
10	59116-01000	.GUIDE, pad	2	
11	59150-01000	.BFACKET	1	
12	59121-18410	.BLEEDER	1	
13	59122-18410	.CAP	1	
14	07120-10257	BOLT	2	

VX800R E2