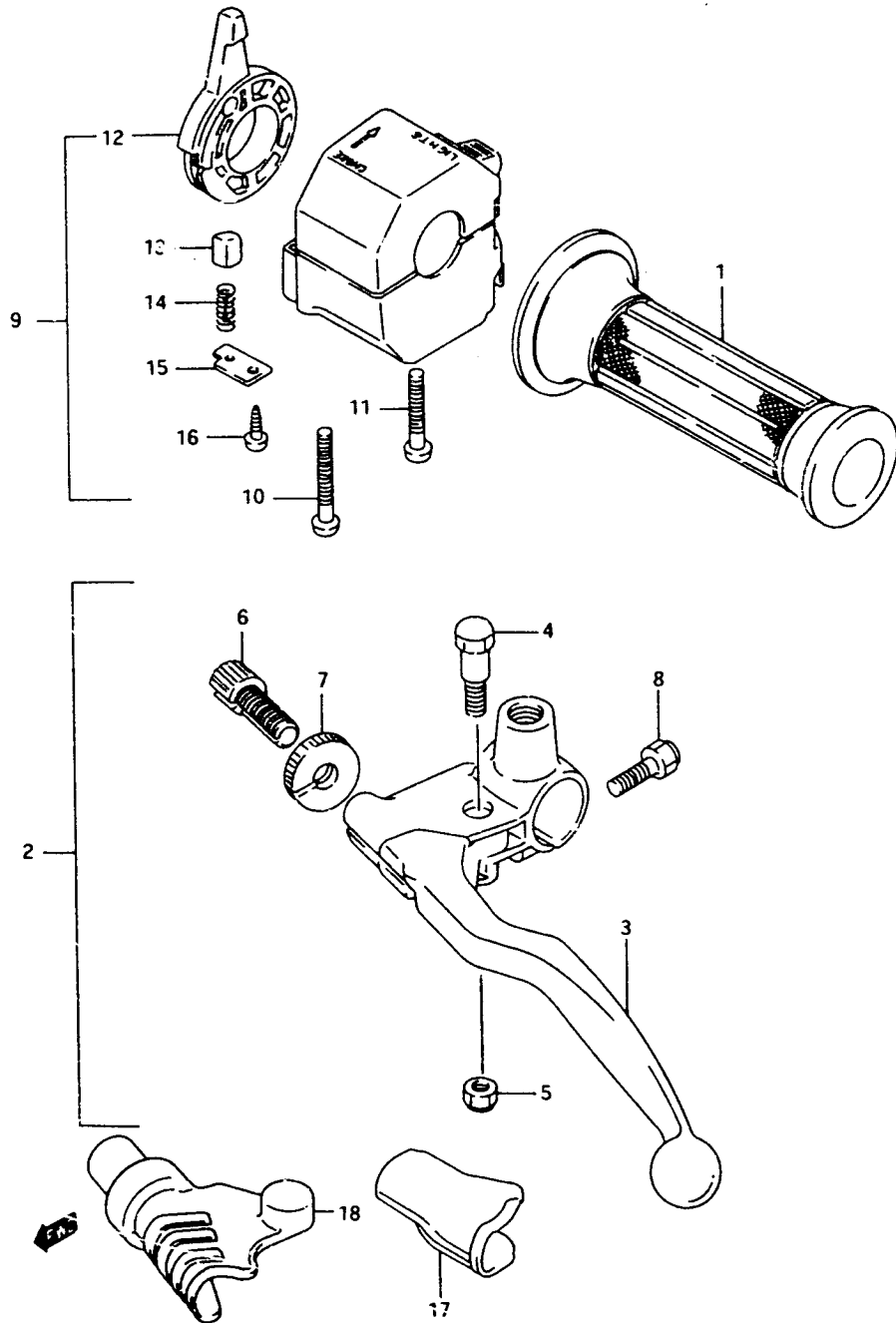


FIG.47

G - 12

75

FIG.47 (G-12) LEFT HANDLE SWITCH



REF.NO.	PART NO.	DESCRIPTION	Q'TY	REMARKS
1	57211-49500	GRIP, LH	1	
2-1	57500-45C00	LEVER ASSY, clutch (Atomic Silver)	1	model L
2-2	57500-45C20	LEVER ASSY, clutch (Coronet Silver)	1	model M/N/P/R
3	57620-45C00	.LEVER	1	
4	57431-45C00	.BOLT	1	
5	08319-21065	.NUT	1	
6	57441-45C00	.ADJUSTER	1	
7	57442-45C00	.NUT	1	
8	01547-06205	.BOLT	1	
9	37400-32800	SWITCH ASSY, handle,LH	1	
10	02112-05455	.SCREW	1	
11	02112-05405	.SCREW	1	
12	37481-30800	.LEVER, choke	1	
13	37482-30800	.PIECE, slide	1	
14	37483-30800	.SPRING	1	
15	37486-30800	.PLATE	1	
16	03511-04125	.SCREW	1	
17	57661-31000	COVER, clutch lever	1	model L
18	57661-45C00	COVER, clutch lever	1	model M/N/P/R

VX800R E2