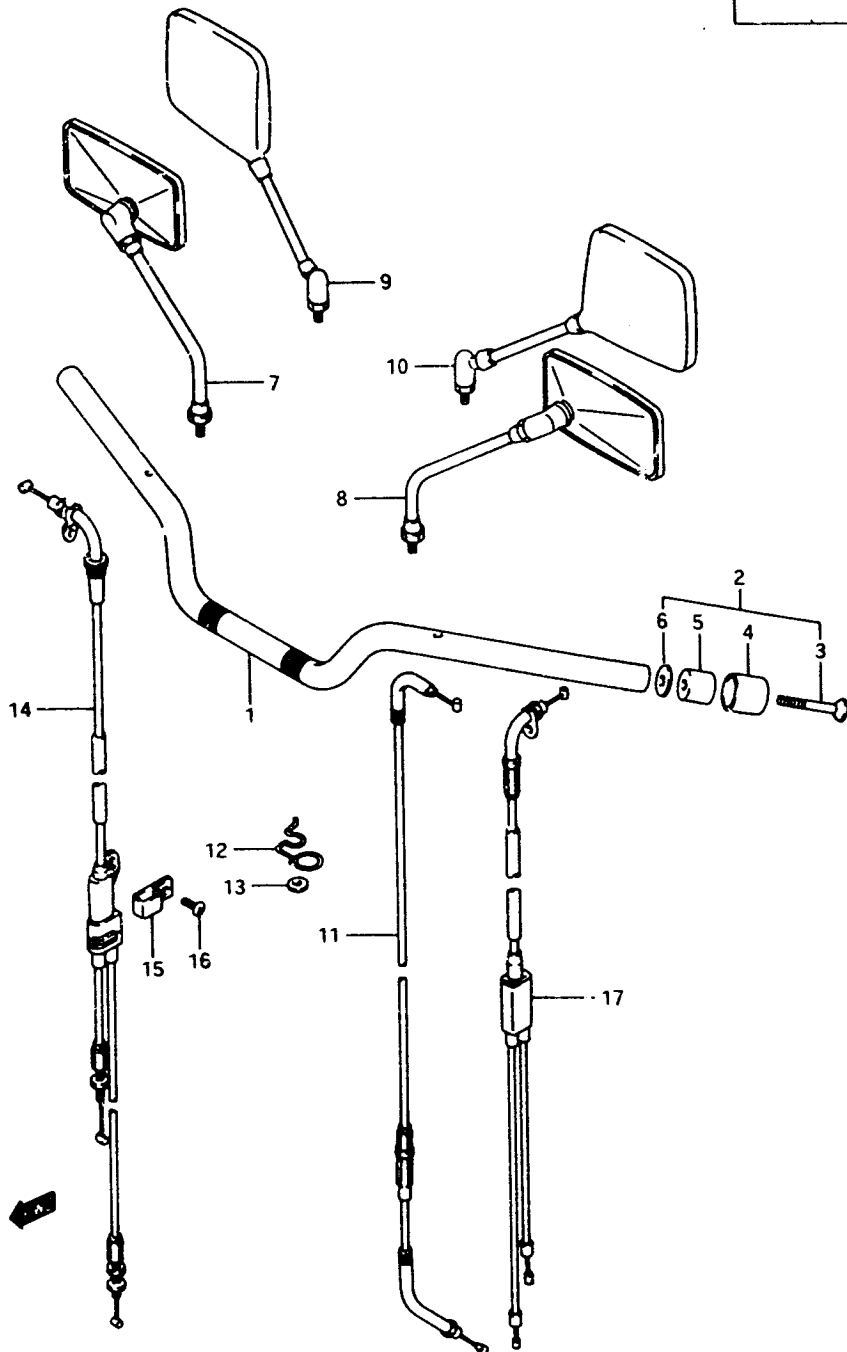


FIG.45

G - 10

FIG.45 ( G-10) HANDLEBAR



REF.NO.	PART NO.	DESCRIPTION	Q'TY	REMARKS
1	56110-45C10	HANDLEBAR	1	
2-1	56200-45810	BALANCER SET, handlebar	2	model L/M/N/P
2-2	56200-45840	BALANCER SET, handlebar	2	model R
3-1	02132-06655	.SCREW	2	model L/M/N/P
3-2	02122-06653	.SCREW	2	model R
4	56274-00A11	.CAP	2	
5	56271-00A00	.BALANCER	2	
6	56275-34400	.SPACER	2	
7	56500-45C01	MIRROR ASSY, rear view RH	1	E1,E15,E16,E18,E22,E24, E25,E39
8	56600-45C01	MIRROR ASSY, rear view LH	1	E1,E15,E16,E18,E22,E24, E25,E39
9	56500-10021	MIRROR ASSY, rear view RH	1	E2,E4,E17,E21,E34 +56500-10020
10	56600-10021	MIRROR ASSY, rear view LH	1	E2,E4,E17,E21,E34 +56600-10020
11	58200-45C10	CABLE ASSY, clutch	1	
12	58622-45C01	GUIDE, cable	1	
13-1	08322-21064	WASHER	1	model L/M/N/P
13-2	08322-01063	WASHER	1	model R
14	58300-45C10	CABLE ASSY, throttle	1	
15	58621-45C00	CLAMP, connector	1	
16-1	02112-75128	SCREW	1	model L/M/N/P
16-2	02112-75123	SCREW	1	model R
17	58410-45C11	CABLE, starter	1	

VX800R E2

AIR CLEANER.....	C-8	CYLINDER.....	B-6	FUEL COCK.....	F-10	OPTIONAL.....	H-12	SEAT.....	F-11	WIRING HARNESS.....	E-16
BATTERY.....	E-4	CYLINDER HEAD.....	B-2	FUEL TANK.....	F-8	PROPELLER SHAFT.....	D-9	SECOND DRIVE GEAR.....	D-6		
CAM CHAIN.....	R-13	ELECTRICAL.....	F-6	CRAP CHIEF.....	D-7		C-12	SPEEDOMETER.....	F-6		