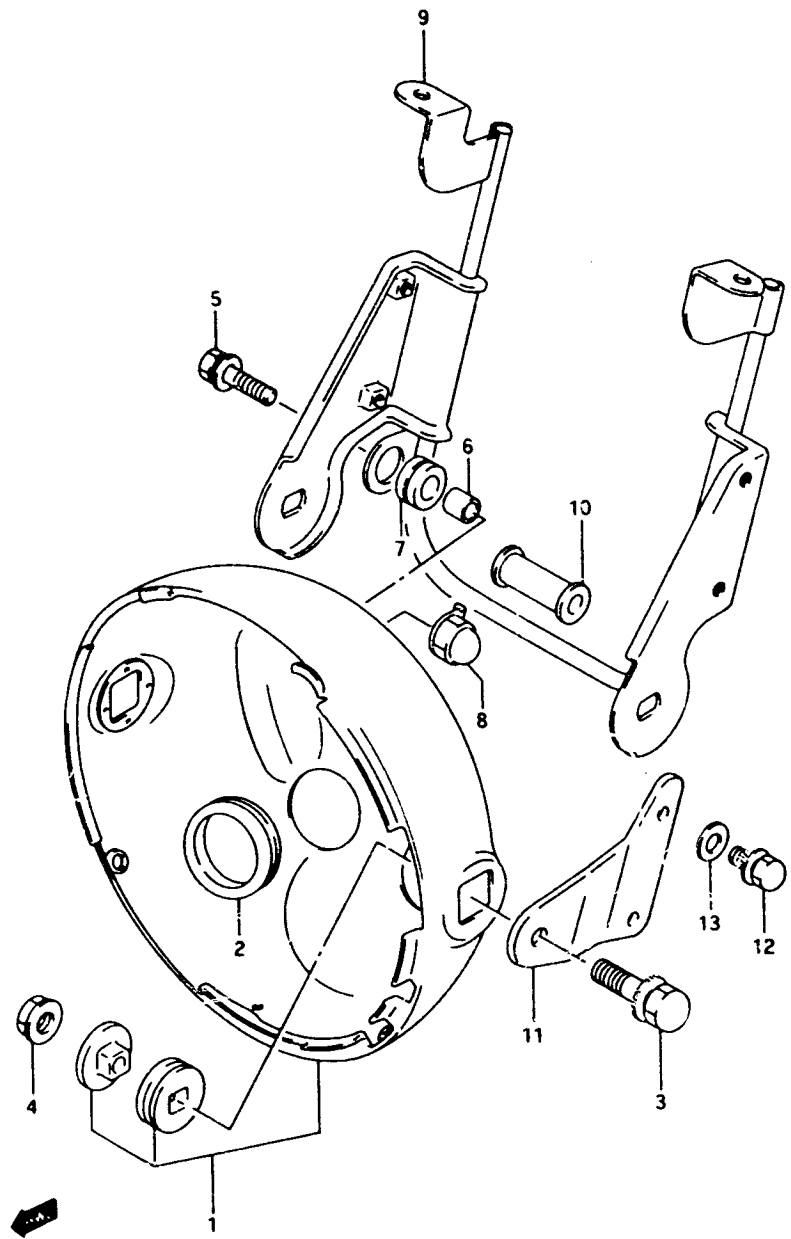


FIG.42A

G - 7

70

FIG.42A(G- 7) HEADLAMP HOUSING (model R)



REF.NO.	PART NO.	DESCRIPTION	Q'TY	REMARKS
1	51810-01D11	HOUSING, headlamp	1	
2	51817-01D00	.GROMMET	3	
3	01244-08307	BOLT	2	
4	08316-10083	NUT	2	
5	09118-06007	BOLT	1	
6	09180-07004	SPACER	1	
7	09320-10015	CUSHION	1	
8	51815-06C00	PLATE	1	
9	51580-45C00	BRACKET, headlamp	1	
10	09320-08022	CUSHION	1	
11-1	51851-01D11	STAY, headlamp housing RH	1	
11-2	51861-01D11	STAY, headlamp housing LH	1	
12	01547-06127	BOLT	4	
13	08322-01067	WASHER	4	