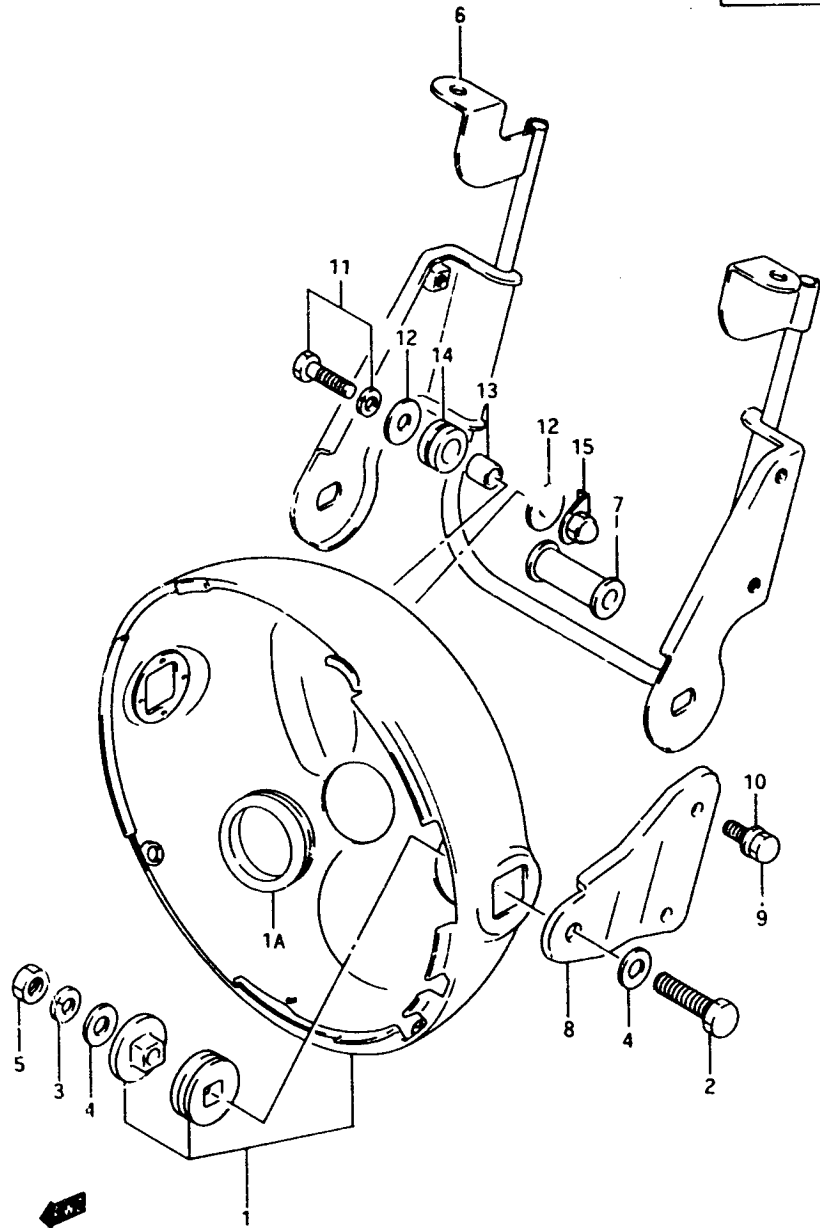


FIG. 42

G - 6

69

FIG. 42 (G- 6) HEADLAMP HOUSING (model L/M/N/P)



REF. NO.	PART NO.	DESCRIPTION	Q'TY	REMARKS
1-1	51810-01D10	HOUSING, headlamp	1	model L/M
1-2	51810-01D11	HOUSING, headlamp	1	model N/P
1A	51817-01000	.GROMMET	3	
2	01204-08307	BOLT	2	
3	08321-21088	LOCK WASHER	2	
4	06322-11088	WASHER	4	
5	08310-12088	NUT	2	
6	51580-45C00	BRACKET, headlamp	1	
7	09320-08022	CUSHION	1	
8-1	51851-45C00	STAY, headlamp housing RH	1	model L/M
8-2	51851-01D11	STAY, headlamp housing RH	1	model N/P
8-3	51861-45C00	STAY, headlamp housing LH	1	model L/M
8-4	51861-01D11	STAY, headlamp housing LH	1	model N/P
9	01204-06127	BOLT	4	
10	08322-21067	WASHER	4	
11	01234-06258	BOLT	1	
12	09160-06006	WASHER	2	
13	09180-07004	SPACER	1	
14	09320-10015	CUSHION	1	
15	51815-06C00	PLATE	1	

Refer to FIG. 42A(G-7) for model R