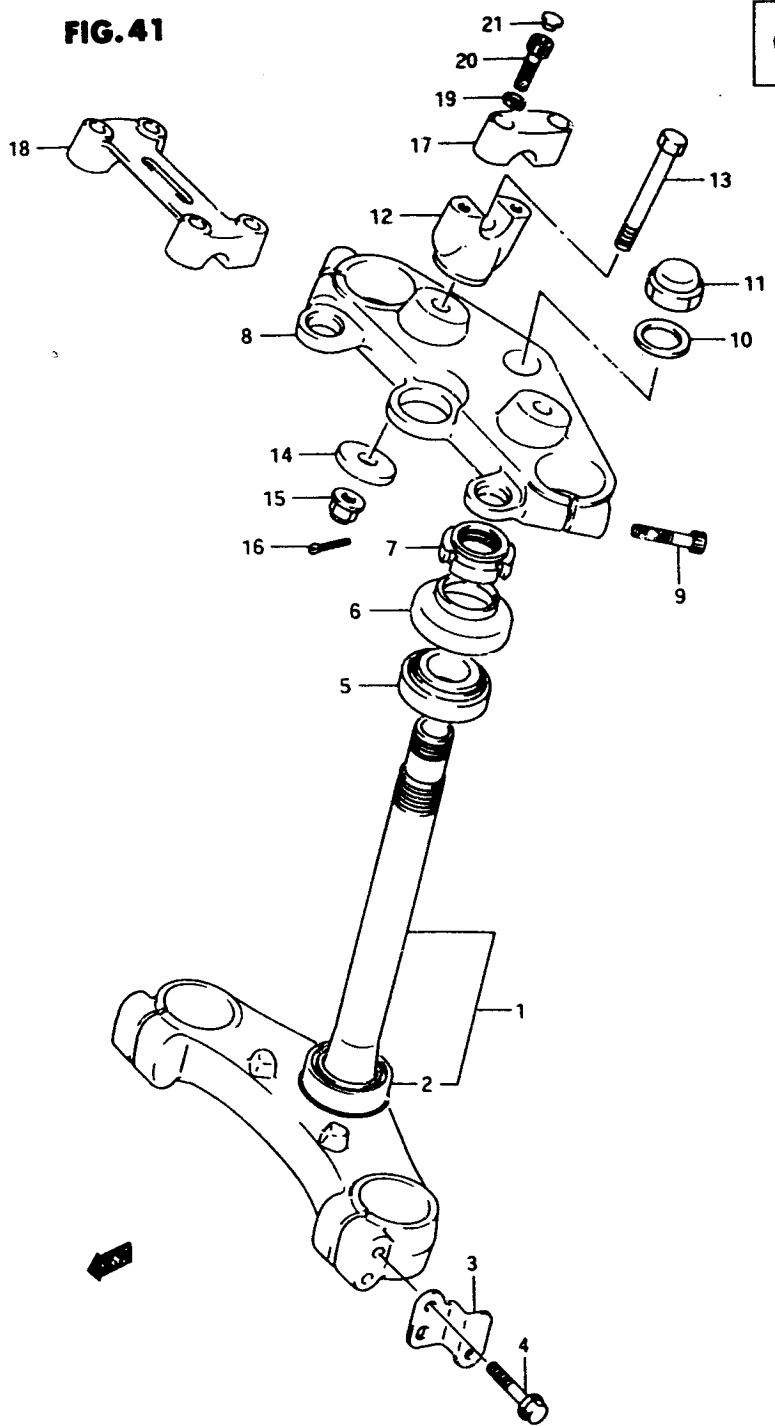


FIG. 41

G-5

68

FIG. 41 (G-5) STEERING STEM



REF.NO.	PART NO.	DESCRIPTION	Q'TY	REMARKS
1-1	51410-45C00	STEM, steering	1	model L
1-2	51410-45C00-23W	STEM, steering (Silver)	1	model M/N/P
1-3	51410-45C00-20H	STEM, steering (Silver)	1	model R
2	09265-30009	BEARING	1	
3-1	35956-45C00	BRACKET, reflector RH	1	E18,E39
3-2	35957-45C00	BRACKET, reflector LH	1	E18,E39
4	51328-27C20	BOLT, stem	4	
5	09265-25008	BEARING	1	
6-1	51643-49001	DUST SEAL	1	model L/M/N/P
6-2	51643-49002	DUST SEAL	1	model R
7	51631-28C00	NUT, stem	1	
8-1	51311-45C00	HEAD, steering stem	1	model L
8-2	51311-45C00-23W	HEAD, steering stem (Silver)	1	model M/N/P
8-3	51311-45C00-20H	HEAD, steering stem (Silver)	1	model R
9	07110-08307	BOLT, stem head	2	
10	51356-24B01	WASHER	1	
11	51353-24B00	NUT	1	
12	56221-45C00	HOLDER, handle lower	2	
13	56321-29C00	BOLT	2	
14	51356-27510	WASHER	2	
15	08319-31107	NUT	2	
16	04111-20308	COTTER PIN	2	
17	56211-45C00	HOLDER, handle upper	2	model L/M
18	56211-45C60	HOLDER, handle upper	1	model N/P/R
19	09164-08015	LOCK WASHER	4	
20	07110-08307	BOLT	4	
21	09250-06004	CAP	4	