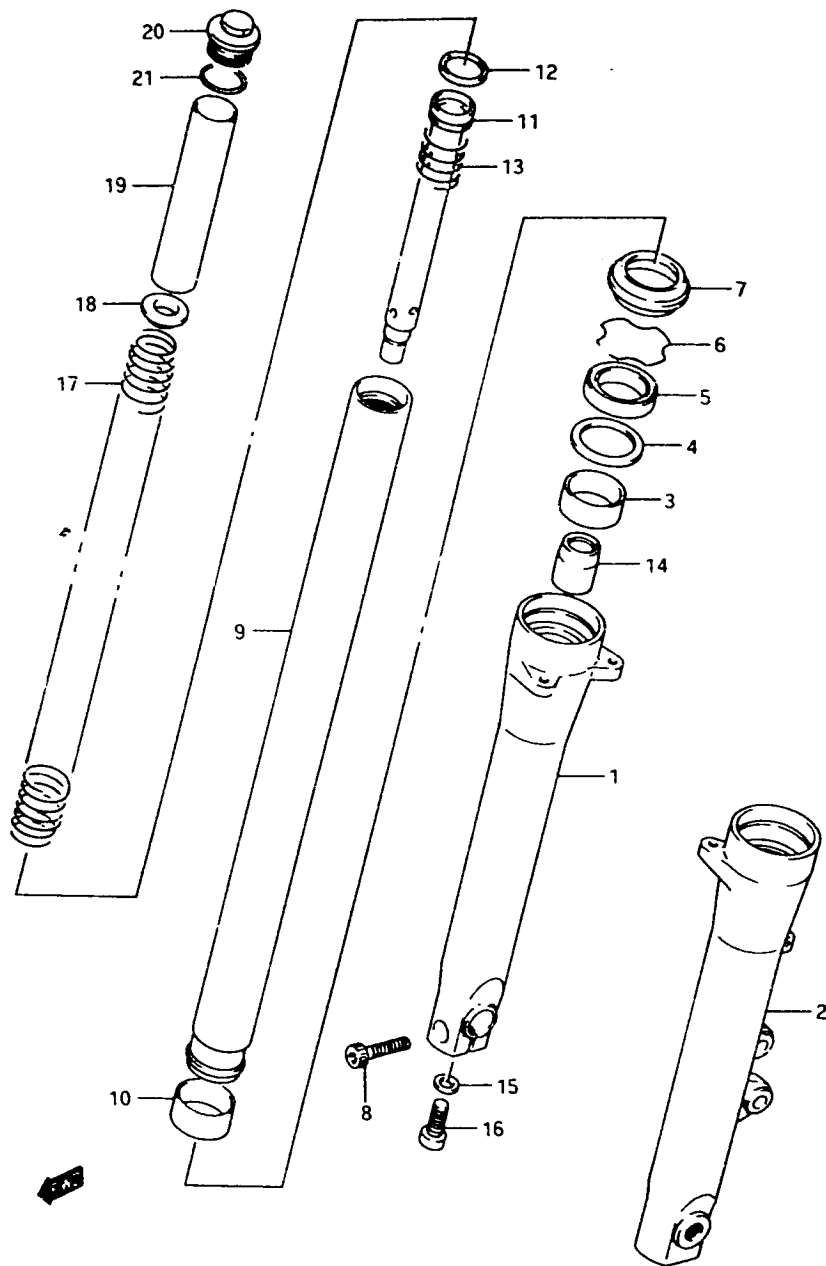


FIG. 40 A

G - 4

67

FIG. 40A( G- 4) FRONT DAMPER (model P/R)



| REF.NO. | PART NO.    | DESCRIPTION           | Q'TY | REMARKS |
|---------|-------------|-----------------------|------|---------|
|         | 51103-45C00 | DAMPER ASSY, RH       | 1    |         |
|         | 51104-45C01 | DAMPER ASSY, LH       | 1    |         |
| 1       | 51130-45C00 | .TUBE, outer RH       | 1    |         |
| 2       | 51140-45C01 | .TUBE, outer LH       | 1    |         |
| 3       | 51167-28C00 | .METAL, slide         | 2    |         |
| 4       | 51158-05A00 | .WASHER               | 2    |         |
| 5       | 52153-06C00 | .OIL SEAL             | 2    |         |
| 6       | 51156-49440 | .RING, snap           | 2    |         |
| 7       | 51173-06C00 | .SEAL, dust           | 2    |         |
| 8       | 07130-08407 | .BOLT, axle holder RH | 1    |         |
| 9       | 51110-45C00 | ..TUBE, inner         | 2    |         |
| 10      | 51121-28C00 | ..PISTON              | 2    |         |
| 11      | 51146-45C00 | .CYLINDER             | 2    |         |
| 12      | 51196-05A00 | ..RING, piston        | 2    |         |
| 13      | 51177-45C00 | ..SPRING, rebound     | 2    |         |
| 14      | 51195-05C20 | .PIECE, oil lock      | 2    |         |
| 15      | 51148-41310 | .GASKET               | 2    |         |
| 16      | 51147-16510 | .BOLT                 | 2    |         |
| 17      | 51171-45C00 | .SPRING, main         | 2    |         |
| 18      | 51172-24A00 | .GUIDE, spring        | 2    |         |
| 19      | 51176-45C00 | .SPACER               | 2    |         |
| 20      | 51351-45C00 | .BOLT, fork           | 2    |         |
| 21      | 51117-40300 | .O RING               | 2    |         |

VX800R E2