

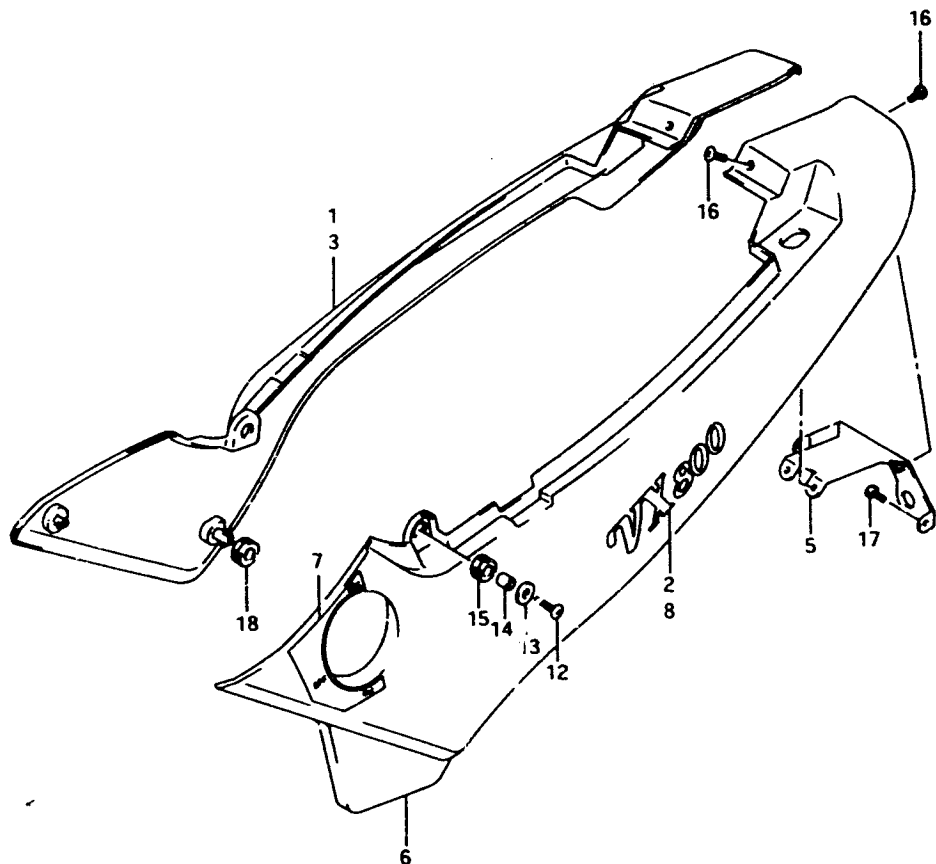
FIG. 39

F - 13

61

FIG. 39 (F-13) FRAME COVER (mod'l L/M)

REF.NO.	PART NO.	DESCRIPTION	Q'TY	REMARKS
9-1	47210-45C20-33J	COVER, frame LH (Black)	1	model M E2,E4
9-2	47210-45C20-0FF	COVER, frame LH (Silver)	1	model M E2,E4
9-3	47210-45C20-19A	COVER, frame LH (Red)	1	model M E2,E4
10	47913-45C00-064	.LABEL, fuel cock (White)	1	model M E2,E4
11-1	68131-45C10-F68	.EMBLEM	1	model M E2,E4 for 33J
11-2	68131-45C10-F67	.EMBLEM	1	model M E2,E4 for 0FF
11-3	68131-45C10-F66	.EMBLEM	1	model M E2,E4 for 19A
12	02142-06205	SCREW	2	
13	09160-06056	WASHER	2	
14	09180-06152	SPACER	2	
15	09320-09016	CUSHION	2	
16	02142-04105	SCREW, rear	4	
17	03541-04105	SCREW, rear side	2	
18	09320-08018	CUSHION	4	



Refer to FIG.39A(F-14) for model N/P
Refer to FIG.39B(F-16) for model R