

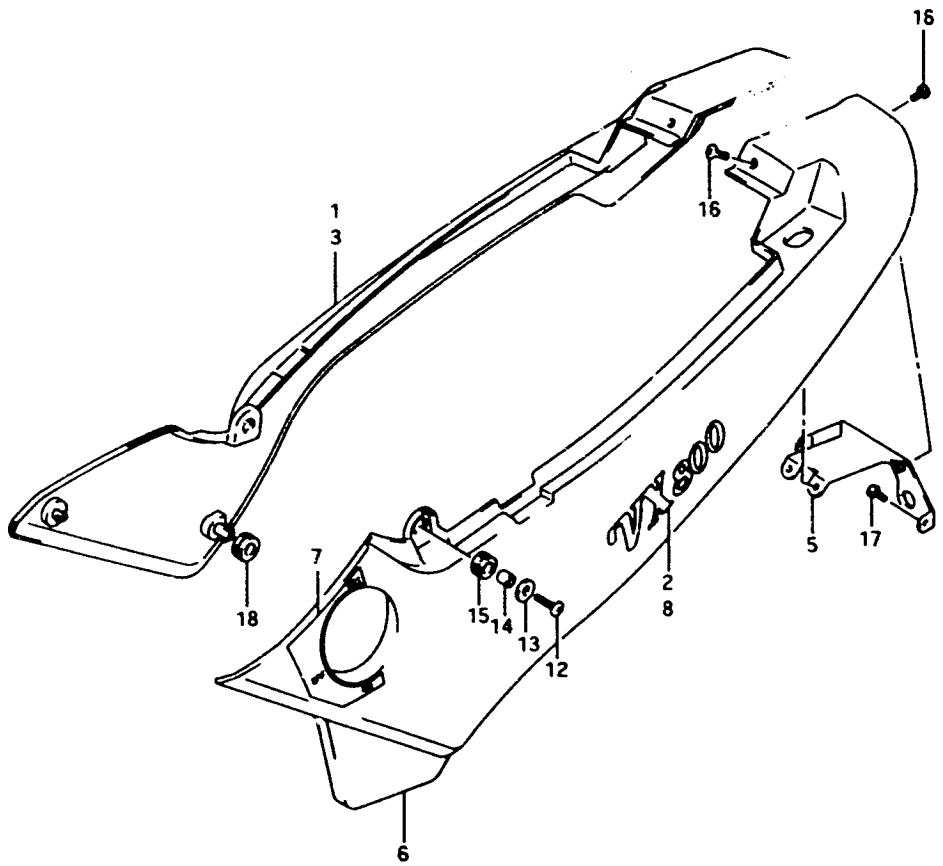
FIG.39

F - 12

60

FIG.39 (F-12) FRAME COVER (model L/M)

| REF.NO. | PART NO. | DESCRIPTION | Q'TY | REMARKS |
|---------|-----------------|---------------------------|------|-----------------------|
| 1-1 | 47110-45C00-24D | COVER, frame RH (Maroon) | 1 | model L |
| 1-2 | 47110-45C00-24V | COVER, frame RH (Blue) | 1 | model L |
| 1-3 | 47110-45C00-33J | COVER, frame RH (Black) | 1 | |
| 1-4 | 47110-45C00-0FP | COVER, frame RH (Silver) | 1 | model M |
| 1-5 | 47110-45C00-19A | COVER, frame RH (Red) | 1 | model M |
| 2-1 | 68131-45C00-B32 | .EMBLEM | 1 | model L for 24D |
| 2-2 | 68131-45C00-B33 | .EMBLEM | 1 | model L for 24V |
| 2-3 | 68131-45C00-B34 | .EMBLEM | 1 | for 33J |
| 2-4 | 68131-45C00-F67 | .EMBLEM | 1 | model M for 0FP |
| 2-5 | 68131-45C00-F66 | .EMBLEM | 1 | model M for 19A |
| 3-1 | 47110-45C20-33J | COVER, frame RH (Black) | 1 | model M E2,E4 |
| 3-2 | 47110-45C20-0FP | COVER, frame RH (Silver) | 1 | model M E2,E4 |
| 3-3 | 47110-45C20-19A | COVER, frame RH (Red) | 1 | model M E2,E4 |
| 4-1 | 68131-45C10-F68 | .EMBLEM | 1 | model M E2,E4 for 33J |
| 4-2 | 68131-45C10-F67 | .EMBLEM | 1 | model M E2,E4 for 0FP |
| 4-3 | 68131-45C10-F66 | .EMBLEM | 1 | model M E2,E4 for 19A |
| 5 | 47130-45C00 | BRACKET, rear RH | 1 | |
| 6-1 | 47210-45C00-24D | COVER, frame LH (Maroon) | 1 | model L |
| 6-2 | 47210-45C00-24V | COVER, frame LH (Blue) | 1 | model L |
| 6-3 | 47210-45C00-33J | COVER, frame LH (Black) | 1 | |
| 6-4 | 47210-45C00-0FP | COVER, frame LH (Silver) | 1 | model M |
| 6-5 | 47210-45C00-19A | COVER, frame LH (Red) | 1 | model M |
| 7 | 47913-45C0G-064 | .LABEL, fuel cock (White) | 1 | |
| 8-1 | 68131-45C00-B32 | .EMBLEM | 1 | model L for 24D |
| 8-2 | 68131-45C00-B33 | .EMBLEM | 1 | model L for 24V |
| 8-3 | 68131-45C00-B34 | .EMBLEM | 1 | for 33J |
| 8-4 | 68131-45C00-F67 | .EMBLEM | 1 | model M for 0FP |
| 8-5 | 68131-45C00-F66 | .EMBLEM | 1 | model M for 19A |



Refer to FIG.39A(F-14) for model N/P
Refer to FIG.39B(F-16) for model R

VX800R E2