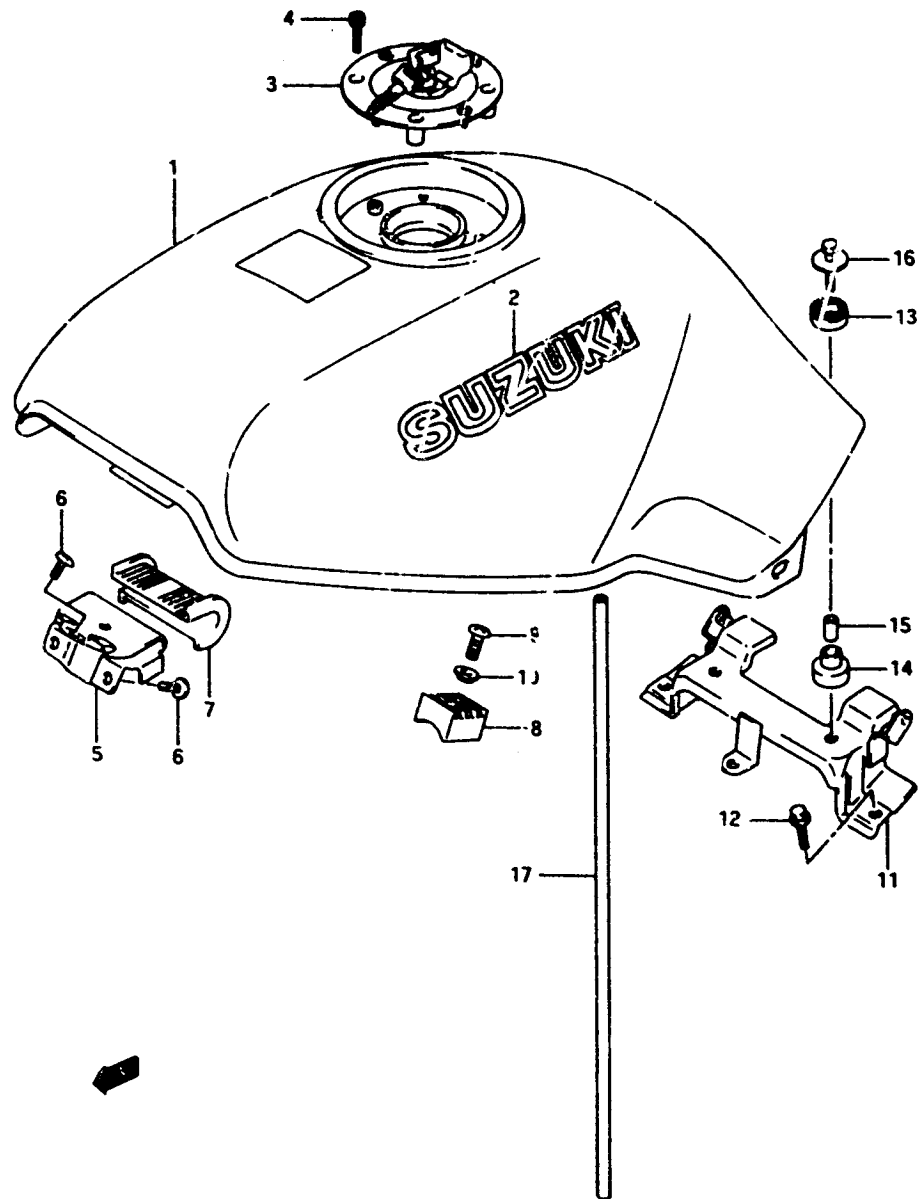


FIG. 36

F - 8

56

FIG.36 (F- 8) FUEL TANK (model L/M/N/P)



REF. NO.	PART NO.	DESCRIPTION	Q'TY	REMARKS
1-1	44100-45C00-24D	TANK ASSY, fuel (Maroon)	1	model L/N
1-2	44100-45C00-24V	TANK ASSY, fuel (Blue)	1	model L
1-3	44100-45C00-33J	TANK ASSY, fuel (Black)	1	
1-4	44100-45C10-24D	TANK ASSY, fuel (Maroon)	1	model L/N E22
1-5	44100-45C10-24V	TANK ASSY, fuel (Blue)	1	model L E22
1-6	44100-45C10-33J	TANK ASSY, fuel (Black)	1	E22
1-7	44100-45C00-0FP	TANK ASSY, fuel (Silver)	1	model M
1-8	44100-45C00-19A	TANK ASSY, fuel (Red)	1	model M
1-9	44100-45C00-1HU	TANK ASSY, fuel (Purple)	1	model N
1-10	44100-45C00-22U	TANK ASSY, fuel (Maroon)	1	model P
1-11	44100-45C10-0FP	TANK ASSY, fuel (Silver)	1	model M E22
1-12	44100-45C10-19A	TANK ASSY, fuel (Red)	1	model M E22
1-13	44100-45C10-1HU	TANK ASSY, fuel (Purple)	1	model N E22
1-14	44100-45C10-22U	TANK ASSY, fuel (Maroon)	1	model P E22
2-1	68111-00A20-0SF	EMBLEM, fuel tank	2	
2-2	68111-00A20-1GT	EMBLEM, fuel tank	2	model N for 1HU
3	44201-01831	CAP SET, fuel	1	
4	09106-05017	BOLT	4	
5	44521-45C00	BRACKET, front	1	
6	02142-06104	SCREW	3	
7	44511-32C00	CUSHION, front	1	
8-1	44545-45C00	CUSHION, side	2	model L/M/N
8-2	44545-45C01	CUSHION, side	2	model P
9	02142-06166	SCREW	2	
10	09169-06036	WASHER	2	
11-1	44530-45C01	BRACKET, rear	1	model L/M/N
11-2	44530-45C02	BRACKET, rear	1	model P
12	01517-06167	BOLT, bracket	2	
13	09320-14017	CUSHION, rear upper	2	
14	09320-10038	CUSHION, rear lower	2	
15	09180-06072	SPACER	2	
16	01517-06306	BOLT	2	
17	09352-50823-600	HOSE, water drain (L:600*580)	1	

Refer to FIG.36A(F-9) for model R

VX800R E2