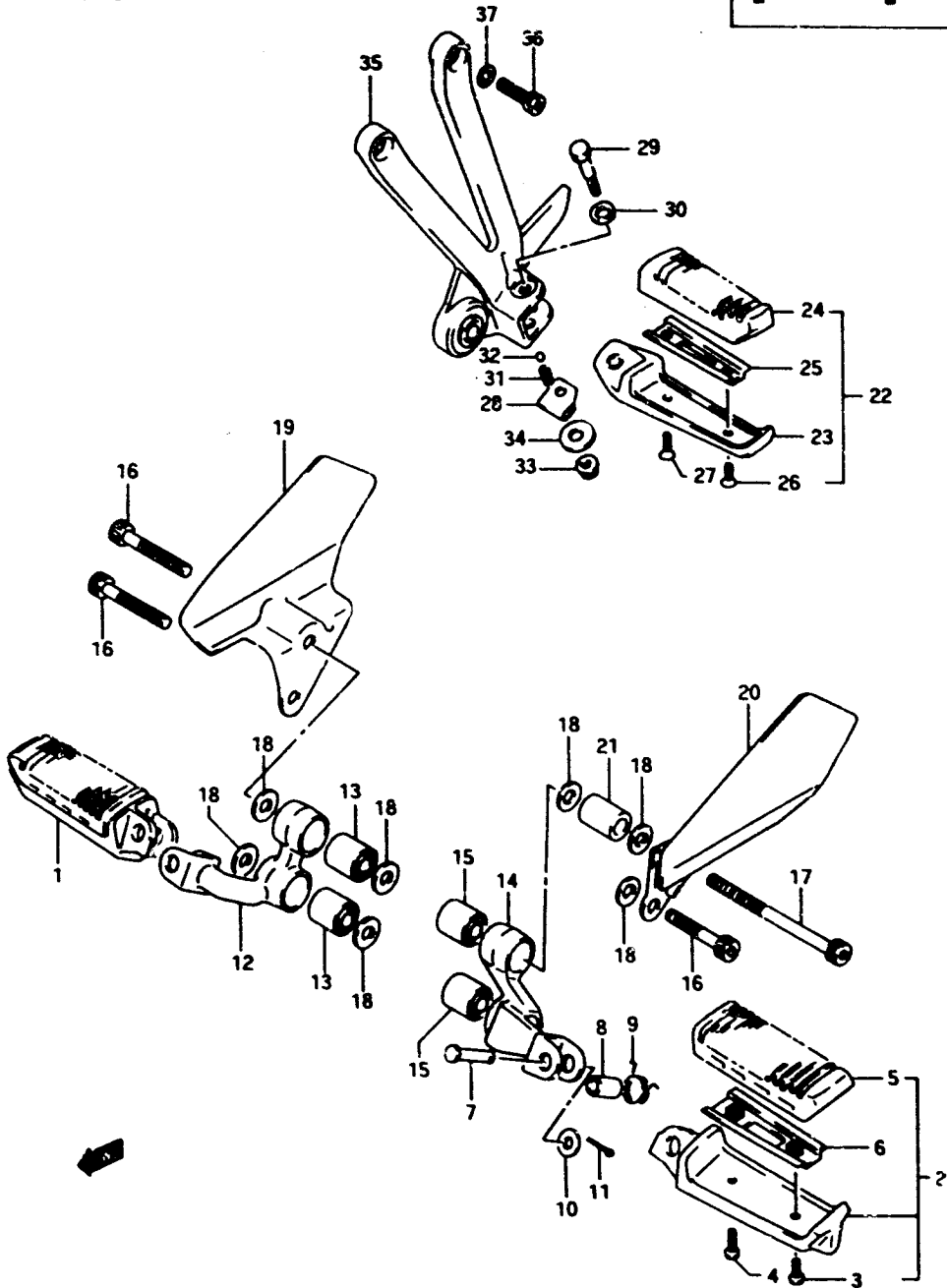


FIG. 35

F - 7

55

FIG. 35 ( F- 7) FOOTREST



REF. NO.	PART NO.	DESCRIPTION	Q'TY	REMARKS
28-1	43635-45000	PLATE, spring stop RH	1	
28-2	43735-45000	PLATE, spring stop LH	1	
29	09111-06048	BOLT	2	
30	09181-08004	SHIM	2	
31	09440-05028	SPRING	2	
32	06111-08003	STEEL BALL	2	
33	08319-31067	NUT	2	
34	08322-11088	WASHER	2	
35-1	43801-45000	BRACKET, pillion RH	1	
35-2	43802-45000	BRACKET, pillion LH	1	
36	07110-08257	BOLT	4	
37	09164-08015	WASHER	4	

VX800R E2