

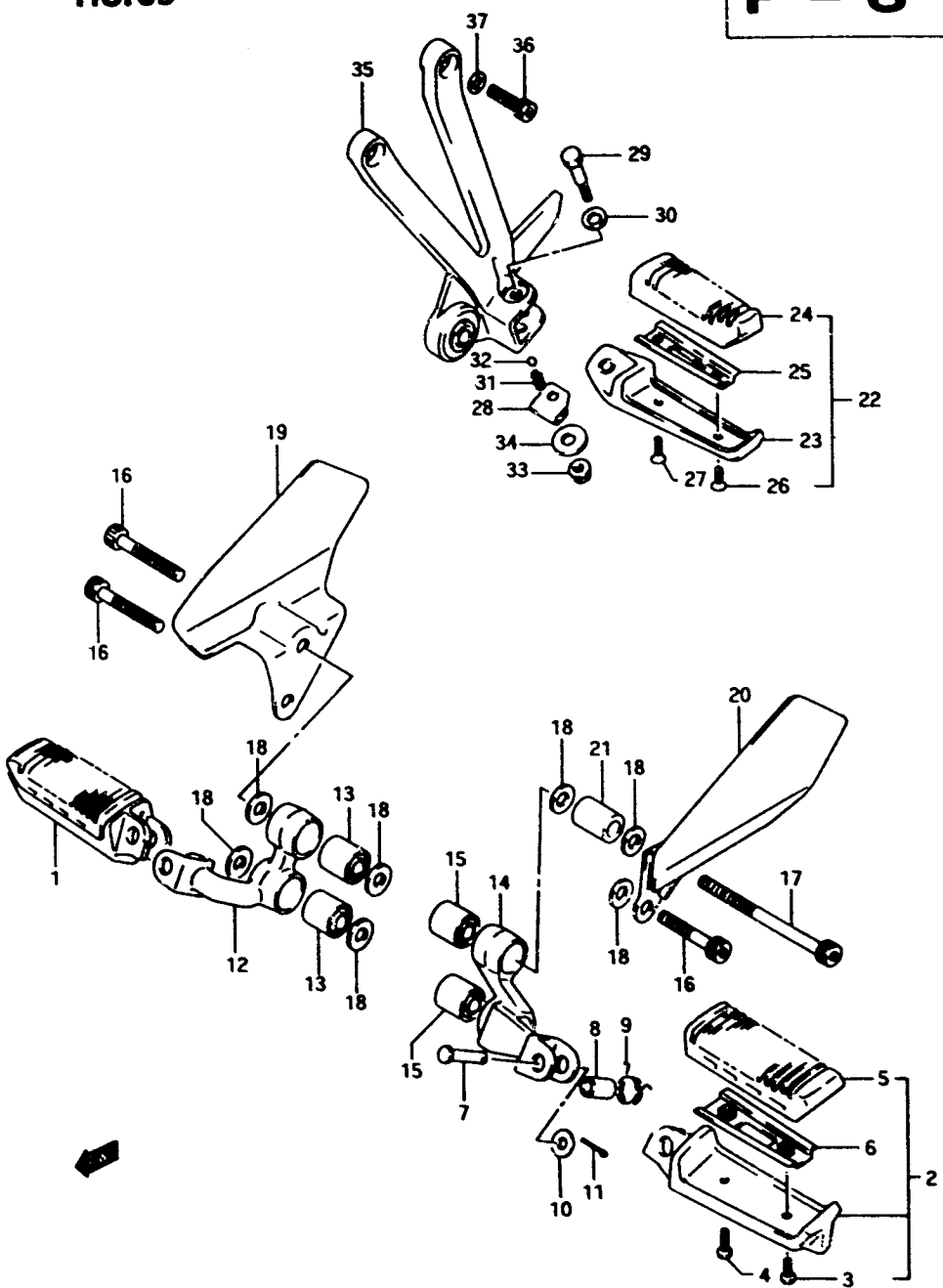
FIG. 33

F - 6

54

FIG. 35 ( F- 6) FOOTREST

REF. NO.	PART NO.	DESCRIPTION	Q'TY	REMARKS
1	43501-45C00	FOOTREST ASSY, front RH	1	
2	43502-45C00	FOOTREST ASSY, front LH	1	
3	02112-05128	.SCREW	2	
4	02112-05168	.SCREW	2	
5	43551-31301	.RUBBER, front footrest	2	
6	43580-33301	.PLATE, front footrest rubber	2	
7	09200-08057	PIN	2	
8	09180-08149	SPACER	2	
9	09448-18022	SPRING	2	
10-1	08322-11084	WASHER	2	model L/M/N/P
10-2	08322-01083	WASHER	2	model R
11	04111-20208	COTTER PIN	2	
12	43530-45C00	HOLDER, footrest RH	1	
13	09319-10047	BUSH	2	
14	43540-45C00	HOLDER, footrest LH	1	
15	09319-10047	BUSH	2	
16	07110-10457	BOLT	3	
17	07110-10707	BOLT, LH	1	
18	09160-10039	WASHER	8	
19-1	43560-45C00	FOOT GUARD, RH	1	model L/M/N
19-2	43560-45C10	FOOT GUARD, RH	1	model P/R
20-1	43570-45C01	FOOT GUARD, LH	1	model L/M/N
20-2	43570-45C10	FOOT GUARD, LH	1	model P/R
21	43597-45C01	SPACER, LH	1	
22-1	43600-45C00	FOOTREST ASSY, pillion RH	1	
22-2	43700-45C00	FOOTREST ASSY, pillion LH	1	
23-1	43610-45C00	.BAR, pillion footrest RH	1	
23-2	43710-45C00	.BAR, pillion footrest LH	1	
24	43612-31300	.RUBBER, pillion footrest	2	
25	43632-45501	.PLATE, rubber stop	2	
26	02132-05127	.SCREW	2	
27	02132-05167	.SCREW	2	



VX800R E2