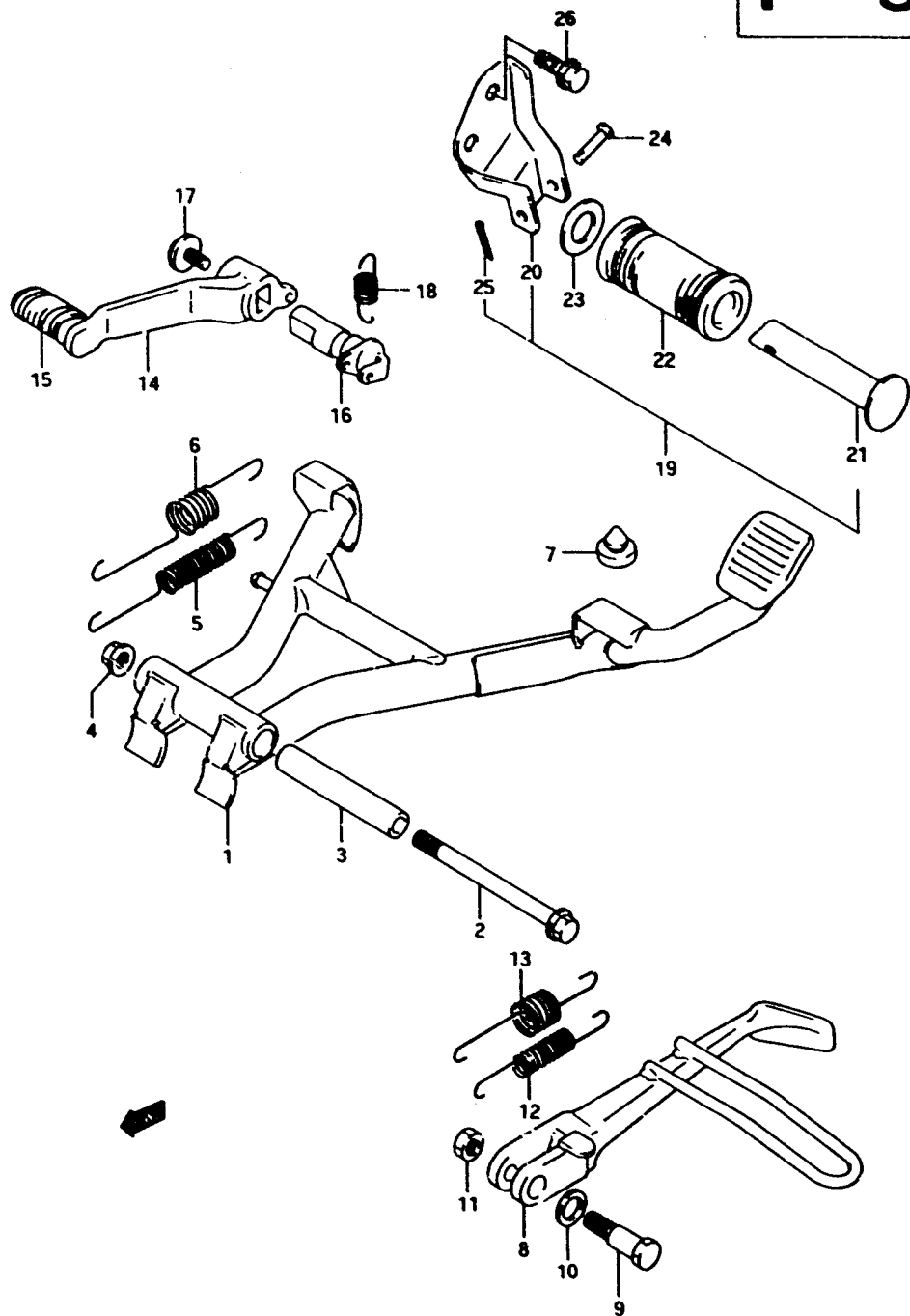


FIG. 34

F - 5

FIG. 34 (F- 5) STAND - REAR BRAKE



REF. NO.	PART NO.	DESCRIPTION	Q'TY	REMARKS
1	42100-45C00	STAND, center	1	
2	09103-10063	BOLT	1	
3-1	42191-45C00	SPACER	1	model L/M/H
3-2	42191-45C01	SPACER	1	model P/R
4	09159-10060	NUT	1	
5	09443-15045	SPRING, inner	1	
6	09443-22016	SPRING, outer	1	
7	09321-10001	CUSHION	1	
8-1	42310-45C00	STAND, prop	1	model L
8-2	42310-45C01	STAND, prop	1	model M
8-3	42310-45C20	STAND, prop	1	model N/P
9	09111-10036	BOLT	1	
10	08221-12224	SHIM	1	
11-1	08310-22105	NUT	1	model L/M/N/P
11-2	09140-10043	NUT	1	model R
12	09443-15044	SPRING, inner	1	
13	09443-22015	SPRING, outer	1	
14	43110-45C00	PEDAL, brake	1	
15	25652-49300	RUBBER	1	
16	43120-45C00	ARM, brake pedal	1	
17	09106-08098	BOLT	1	
18	09443-15043	SPRING, return	1	
19	43500-45810	GRIP SET, center stand	1	OPT
20	43990-45C00	.HOLDER	1	OPT
21	43610-44000	.BAR	1	OPT
22	43995-45C00	.RUBBER	1	OPT
23	09160-19006	.WASHER	1	OPT
24	09200-06010	.PIN	1	OPT
25	04111-20158	.COTTER PIN	1	OPT
26-1	01517-08165	.BOLT	1	OPT, model L/M/N/P
26-2	01550-08163	.BOLT	1	OPT, model R

VX800R E2