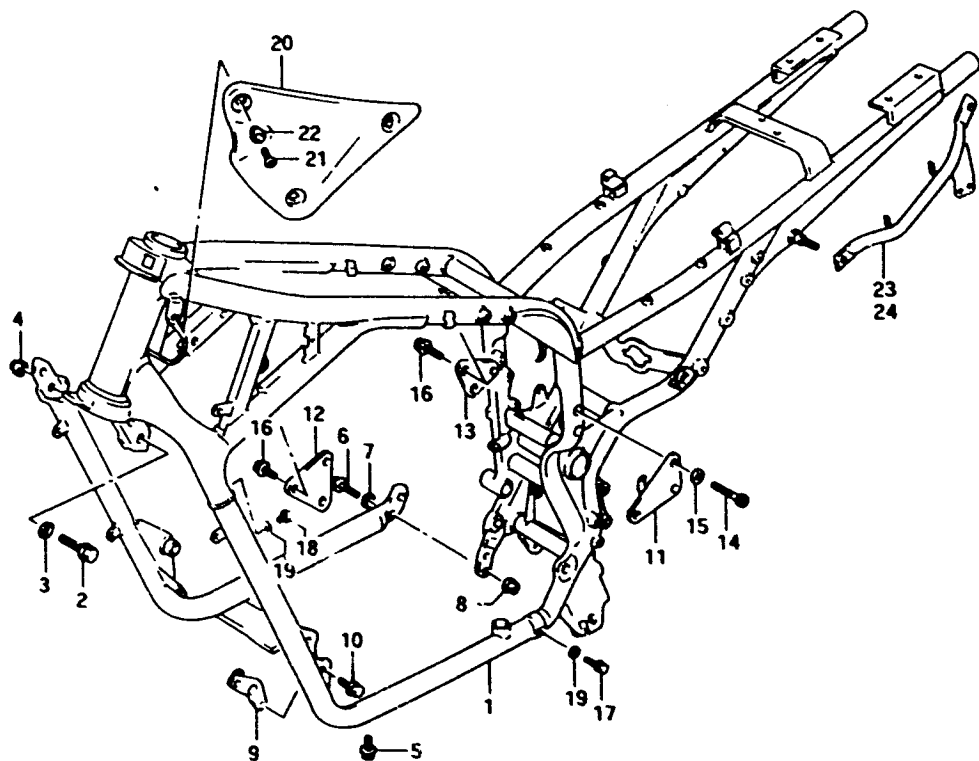


FIG. 33A

F - 4

FIG.33A( F- 4) F/ME (model R)



REF.NO.	PART NO.	DESCRIPTION	Q'TY	REMARKS
1	41100-45831-019	FRAME SET (Black)	1	
2	09103-10229	.BOLT, upper	2	
3	09164-10005	.WASHER	2	
4	09159-10093	.NUT	2	
5	07120-08163	.BOLT, bridge	2	
6	09106-10019	.BOLT, lower	2	
7	09164-10005	.WASHER	2	
8	08319-31105	.NUT	2	
9	41920-45C02	PL" No.1 LH	1	
10	01550-08203	BOL.	2	
11-1	41950-45C01	PLATE, No.3 RH	1	
11-2	41960-45C01	PLATE, No.3 LH	1	
12-1	41970-45C01	PLATE, No.4 RH	1	
12-2	41980-45C01	PLATE, No.4 LH	1	
13-1	41990-45C01	PLATE, No.5 RH	1	
13-2	41990-45C01	PLATE, No.5 LH	1	
14	07130-08403	BOLT, No.3	4	
15	09164-08015	WASHER	4	
16	07120-08163	BOLT, NO.4/No.5	8	
17	01550-06107	BOLT, drain	1	
18	09360-06015	BOLT, air duct	1	
19	09168-06004	GASKET	2	
20-1	47511-45C00	COVER, frame head RH	1	
20-2	47522-45C00	COVER, frame head LH	1	
21	09139-05025	BOLT	6	
22	09161-05017	WASHER	6	
23-1	43970-45C00	GRIP, rear RH	1	
23-2	43970-45C10	GRIP, rear RH	1	E18
24-1	43970-45C00	GRIP, rear LH	1	
24-2	43980-45C10	GRIP, rear LH	1	E18

VX800R E2

AIR CLEANER.....	C-8	CYLINDER.....	B-6	FUEL COCK.....	F-10	OPTIONAL.....	H-12	SEAT.....	F-11	WIRING HARNESS.....	E-16
BATTERY.....	E-4	CYLINDER HEAD.....	B-2	FUEL TANK.....	F-8	PROPELLER SHAFT.....	D-9	SECOND DRIVE GEAR.....	D-6		
CAN CHAIN.....	B-13	ELECTRICAL.....	E-5	GEAR SHIFT.....	D-7	RADIATOR.....	C-13	SPEEDOMETER.....	E-6		