

FIG. 33

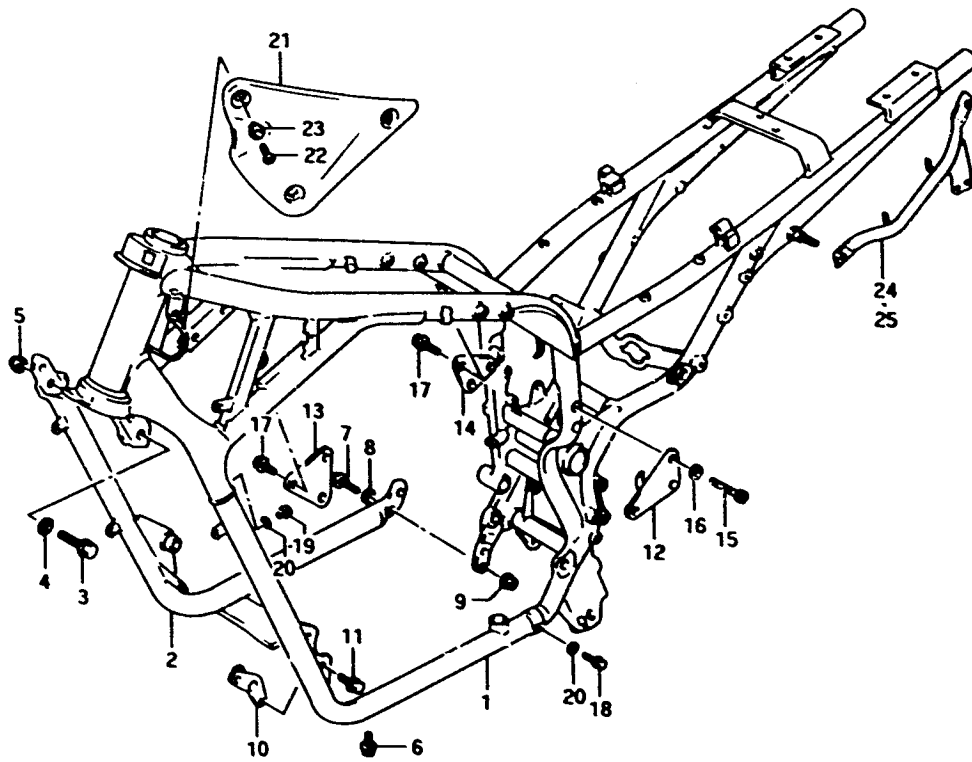
F - 3

51

FIG. 33 (F- 3) FRAME (model L/M/N/P)

REF. NO.	PART NO.	DESCRIPTION	Q'TY	REMARKS
21-1	47511-45C00	COVER, frame head RH	1	
21-2	47522-45C00	COVER, frame head LH	1	
22	09139-05025	BOLT	6	
23	09161-05017	WASHER	6	
24-1	43970-45C00	GRIP, rear RH	1	
24-2	43970-45C10	GRIP, rear RH	1	E18, E39
25-1	43980-45C00	GRIP, rear LH	1	
25-2	43980-45C10	GRIP, rear LH	1	E18, E39

Refer to FIG. 33A(F-4) for model R



VX800R E2

AIR CLEANER..... C-8	CYLINDER..... B-6	FUEL COCK..... F-10	OPTIONAL..... H-12	SEAT..... F-11	WIRING HARNESS..... E-16
BATTERY..... E-4	CYLINDER HEAD..... B-2	FUEL TANK..... F-8	PROPELLER SHAFT..... D-9	SECOND DRIVE GEAR..... D-6	