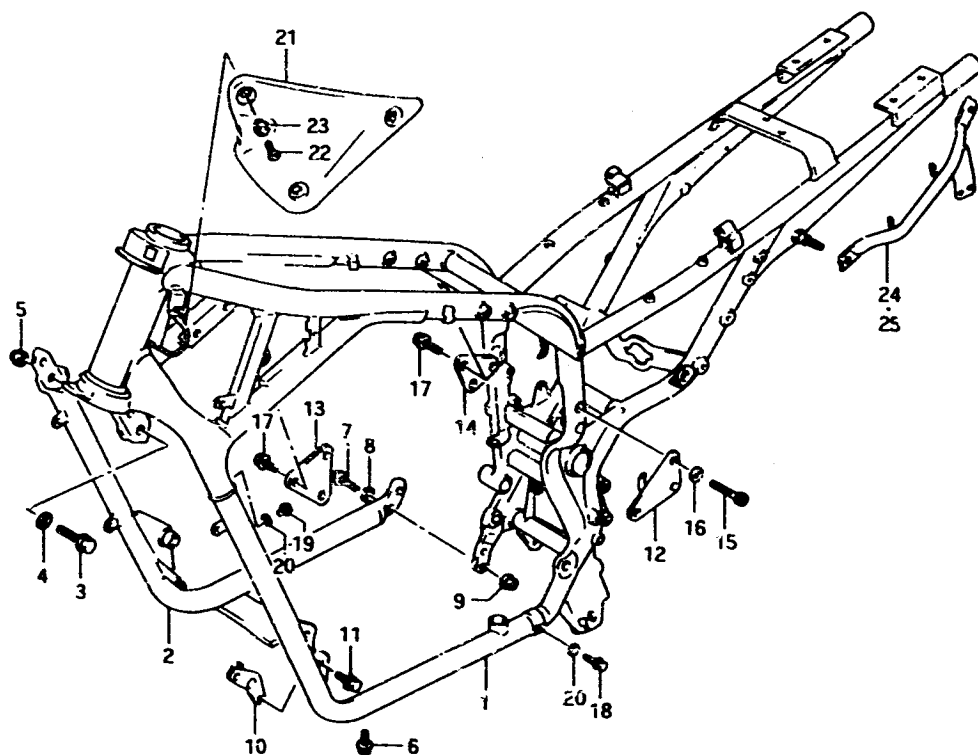


FIG.33

F - 2

50

FIG.33 ( F - 2) FRAME (model L/M/N/P)



REF.NO.	PART NO.	DESCRIPTION	Q'TY	REMARKS
1-1	41100-45811-15T	FRAME SET (Black)	1	model L
1-2	41100-45830-15T	FRAME SET (Black)	1	model M
1-3	41100-45831-15T	FRAME SET (Black)	1	model N/P
2	41140-45C00-15T	.TUBE, frame down (Black)	1	model L
3	09103-10229	.BOLT, upper	2	
4	09164-10005	.WASHER	2	
5	09159-10093	.NUT	2	
6	07120-08165	.BOLT, bridge	2	
7	09106-10019	.BOLT, lower	2	
3	09164-10005	.WASHER	2	
9	06319-31105	.NUT	2	
10-1	41920-45C01-15T	PLATE, No.1 LH (Black)	1	model L
10-2	41920-45C02	PLATE, No.1 LH	1	model M/N/P
11	01517-08205	BOLT	2	
12-1	41950-45C00-15T	PLATE, No.3 RH (Black)	1	model L
12-2	41950-45C01	PLATE, No.3 RH	1	model M/N/P
12-3	41960-45C00-15T	PLATE, No.3 LH (Black)	1	model L
12-4	41960-45C01	PLATE, No.3 LH	1	model M/N/P
13-1	41970-45C00-15T	PLATE, No.4 RH (Black)	1	model L
13-2	41970-45C01	PLATE, No.4 RH	1	model M/N/P
13-3	41980-45C00-15T	PLATE, No.4 LH (Black)	1	model L
13-4	41980-45C01	PLATE, No.4 LH	1	model M/N/P
14-1	41890-45C00-15T	PLATE, No.5 RH (Black)	1	model L
14-2	41890-45C01	PLATE, No.5 RH	1	model M/N/P
14-3	41990-45C00-15T	PLATE, No.5 LH (Black)	1	model L
14-4	41990-45C01	PLATE, No.5 LH	1	model M/N/P
15	07110-08405	BOLT, No.3	4	
16	09164-08015	.WASHER	4	
17-1	07120-08165	BOLT, No.4/No.5	8	model L/M/N
17-2	07120-08166	BOLT, NO.4/No.5	8	model P
18	01517-06108	BOLT, drain	1	
19	09360-06015	BOLT, air duct	1	
20	09168-06004	GASKET	2	

Refer to FIG.33A(F-4) for model R

VX800R E2

AIR CLEANER.....	C-8	CYLINDER.....	B-6	FUEL COCK.....	F-10	OPTIONAL.....	M-12	SEAT.....	F-11	WIRING HARNESS.....	E-16
BATTERY.....	E-4	CYLINDER HEAD.....	B-2	FUEL TANK.....	F-8	PROPELLER SHAFT.....	D-9	SECOND DRIVE GEAR.....	D-6		
CAY CHAIN.....	B-13	ELECTRICAL.....	E-5	GEAR SWIFT.....	D-7	RADIATOR.....	C-13	SPEEDOMETER.....	E-6		