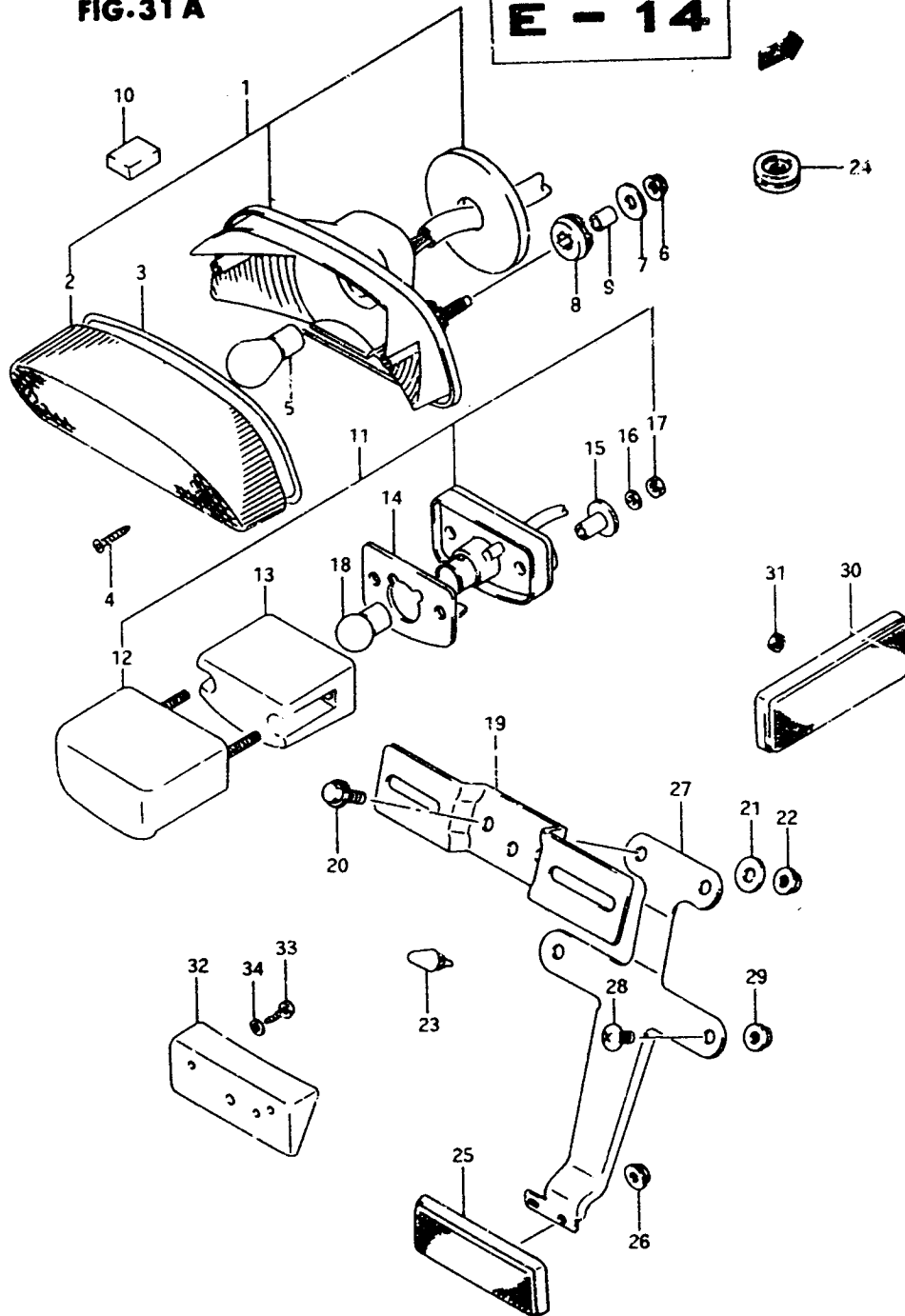


FIG.31A

E - 14



47

FIG.31A( E-14) REAR COMBINATION LAMP (model P/R)

REF.NO.	PART NO.	DESCRIPTION	QTY	REMARKS
1	35710-45C00	LAMP ASSY, rear combination	1	
2	35722-30B30	.LENS	1	
3	35713-30B30	.GASKET	1	
4	35723-30B30	.SCREW	2	
5	09471-12083	.BULB (12V,21/5W)	1	
6	08316-26066	NUT	2	
7	09160-06060	WASHER	2	
8	09320-09018	CUSHION	2	
9	09180-06114	SPACER	2	
10	35733-45C00	CUSHION	1	
11	35910-24B20	LAMP ASSY, licence	1	
12	35917-38A20	.COVER, licence lamp	1	
13	35912-38A20	.LENS	1	
14	35913-38A30	.GASKET	1	
15	35766-24B30	.SPACER	2	
16	08321-21047	.LOCK WASHER	2	
17	08310-11047	.NUT	2	
18	09471-12140	.BULB (12V,5W)	1	
19	35927-17C00	BRACKET, licence plate	1	
20-1	01517-06164	BOLT	2	model P
20-2	01550-06163	BOLT	2	model R
21	09160-06059	WASHER	2	
22	08316-26066	NUT	2	
23	09321-06031	CUSHION	1	
24	09308-07013	GROMMET, turnsignal lead wire	1	
25-1	35970-00A21	REFLEX REFLECTOR, rear	1	
25-2	35970-24D60	REFLEX REFLECTOR, rear	1	E24
26	08316-26058	NUT	1	
27	35974-45C00	BRACKET, rear	1	
28-1	02142-06125	SCREW	2	model P
28-2	02142-06123	SCREW	2	model R
29-1	08316-26065	NUT	2	model P
29-2	08316-20063	NUT	2	model R

VX800R E2