

FIG.31

E - 13

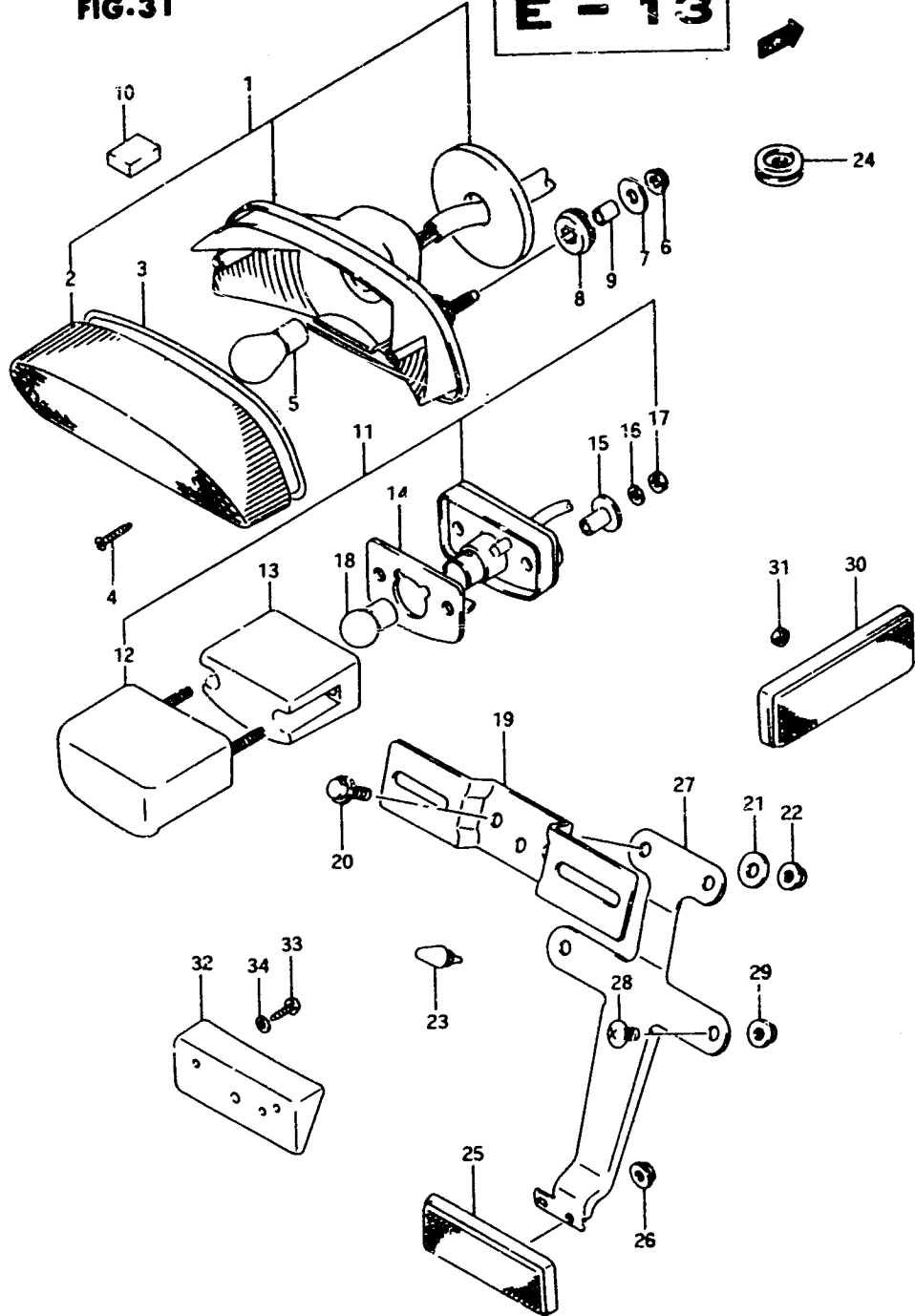


FIG.31 (E-13) REAR COMBINATION LAMP (model L/M/N)
Q'TY

REF.NO.	PART NO.	DESCRIPTION	Q'TY	REMARKS
23-1	09321-06029	CUSHION	1	
23-2	09321-06031	CUSHION	1	E2,E15,E16,E17,E18,E22, E25,E34,E39
24	09308-07013	GROMMET, turnsignal lead wire	1	
25	35970-00A21	REFLEX REFLECTOR, rear	1	
26	08316-26058	NUT	1	
27	35974-45C00	BRACKET, rear	1	
28	02142-06125	SCREW	2	
29	08316-26065	NUT	2	
30	35950-43A31	REFLEX REFLECTOR, rear side	2	E39
31	08310-22055	NUT	2	E39
32	35977-12C00	SPACER	1	E2,E15,E16,E17,E18,E22, E25,E39
33	03541-04125	SCREW	2	E2,E15,E16,E17,E18,E22, E25,E39
34	08322-21045	WASHER	2	E2,E15,E16,E17,E18,E22, E25,E39

Refer to FIG.31A(E-14) for model P/R