

FIG.31

E - 12

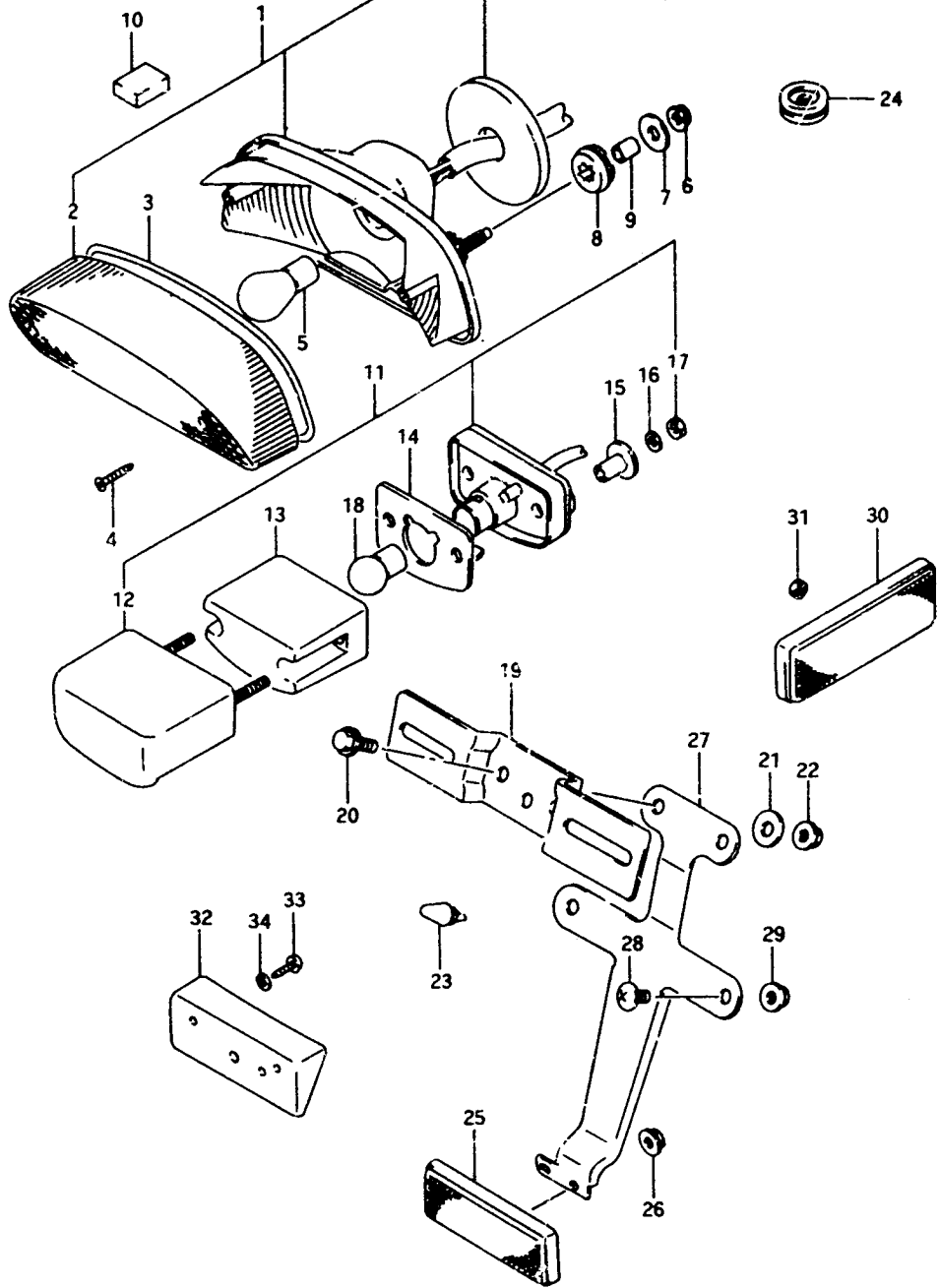


FIG.31 (E-12) REAR COMBINATION LAMP (model L/M/N)
Q'TY

REF.NO.	PART NO.	DESCRIPTION	Q'TY	REMARKS
1-1	35710-45C10	LAMP ASSY, rear combination	1	
1-2	35710-45C00	LAMP ASSY, rear combination	1	E2,E4,E15,E16,E17,E18, E21,E22,E24,E25,E34,E39
2	35712-38B30	.LENS	1	
3	35713-38B30	.GASKET	1	
4	35723-38B30	.SCREW	2	
5	09471-12083	.BULB (12V,21/5W)	1	
6	08316-26066	NUT	2	
7	09160-06060	WASHER	2	
8	09320-09018	CUSHION	2	
9	09180-06114	SPACER	2	
10	35733-45C00	CUSHION	1	
11-1	35910-45C10	LAMP ASSY, licence	1	model L/M
11-2	35910-24B00-999	LAMP ASSY, licence	1	model N
11-3	35910-24B20	LAMP ASSY, licence	1	E2,E4,E15,E16,E17,E18, E21,E22,E24,E25,E34,E39
12-1	35917-38A30	.COVER, license lamp	1	
12-2	35917-38A20	.COVER, license lamp	1	E2,E4,E15,E16,E17,E18, E21,E22,E24,E25,E34,E39
13-1	35912-38A30	.LENS	1	
13-2	35912-38A20	.LENS	1	E2,E4,E15,E16,E17,E18, E21,E22,E24,E25,E34,E39
14	35913-38A30	.GASKET	1	
15	35766-24B30	.SPACER	2	
16	08321-21047	.LOCK WASHER	2	
17	08310-11047	.NUT	2	
18-1	09471-12058	.BULB (12V,5W)	1	model L/M
18-2	09471-12140	.BULB (12V,5W)	1	E2,E4,E15,E16,E17,E18, E21,E22,E24,E25,E34,E39
18-3	09471-12058	BULB (12V,5W)	1	model N
19	35927-17C00	BRACKET, license plate	1	
20	01517-06164	BOLT	2	
21	09160-06059	WASHER	2	
22	08316-26C66	NUT	2	

Refer to FIG.31A(E-14) for model P/R