

FIG. 30

E - 11

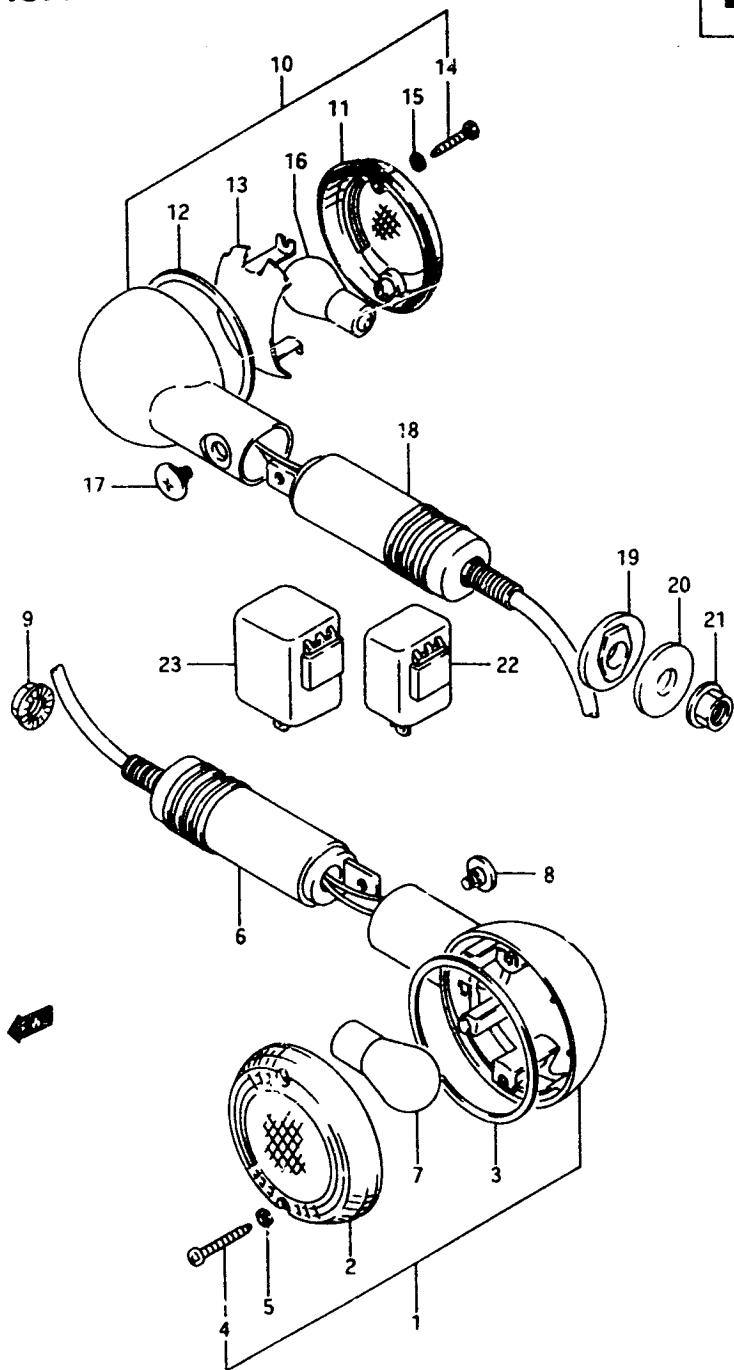


FIG. 30 (E-11) TURN SIGNAL LAMP

REF. NO.	PART NO.	DESCRIPTION	Q'TY	REMARKS
1-1	35C01-45C10	LAMP ASSY, front turn RH	1	
1-2	35601-45C00	LAMP ASSY, front turn RH	1	E2,E15,E16,E17,E22,E24
1-3	35602-45C10	LAMP ASSY, front turn LH	1	
1-4	35602-45C00	LAMP ASSY, front turn LH	1	E2,E15,E16,E17,E22,E24
2	35612-38A01	.LENS	2	
3	35613-38A00	.GASKET	2	
4	03211-04256	.SCREW	4	
5	35627-43010	.GASKET	4	
6-1	35619-45C10	.STAY, turnsignal lamp	2	
6-2	35619-45C00	.STAY, turnsignal lamp	2	E2,E15,E16,E17,E22,E24
7	09471-12045	.BULB (12V,21W)	2	
8	35623-38A01	.SCREW	2	
9-1	08316-26105	NUT	2	model L/M/N/P
9-2	08316-20103	NUT	2	model R
10-1	35603-45C10	LAMP ASSY, rear turn signal RH	1	
10-2	35603-45C00	LAMP ASSY, rear turn signal RH	1	E15,E16
10-3	35604-45C10	LAMP ASSY, rear turn signal LH	1	
10-4	35604-45C00	LAMP ASSY, rear turn signal LH	1	E15,E16
11	35652-38A21	.LENS	2	
12	35613-38A00	.GASKET	2	
13	35654-38A20	.REFLECTOR	2	
14	03211-04256	.SCREW	4	
15	35627-43010	.GASKET	4	
16	09471-12045	.BULB (12V,21W)	2	
17	35623-38A01	.SCREW	2	
18-1	35659-45C10	.STAY, turnsignal lamp	2	
18-2	35659-45C00	.STAY, turnsignal lamp	2	E15,E16
19	35695-17C00	SPACER	2	
20	09160-10094	WASHER	2	
21-1	08316-26105	NUT	2	model L/M/N
21-2	08310-12108	NUT	2	model P/R
22	38610-31310	RELAY, turn signal	1	model L/M/N
23-1	38610-45091	RELAY, turn signal	1	model L/M/N E22
23-2	38610-45001	RELAY, turn signal	1	model P/R