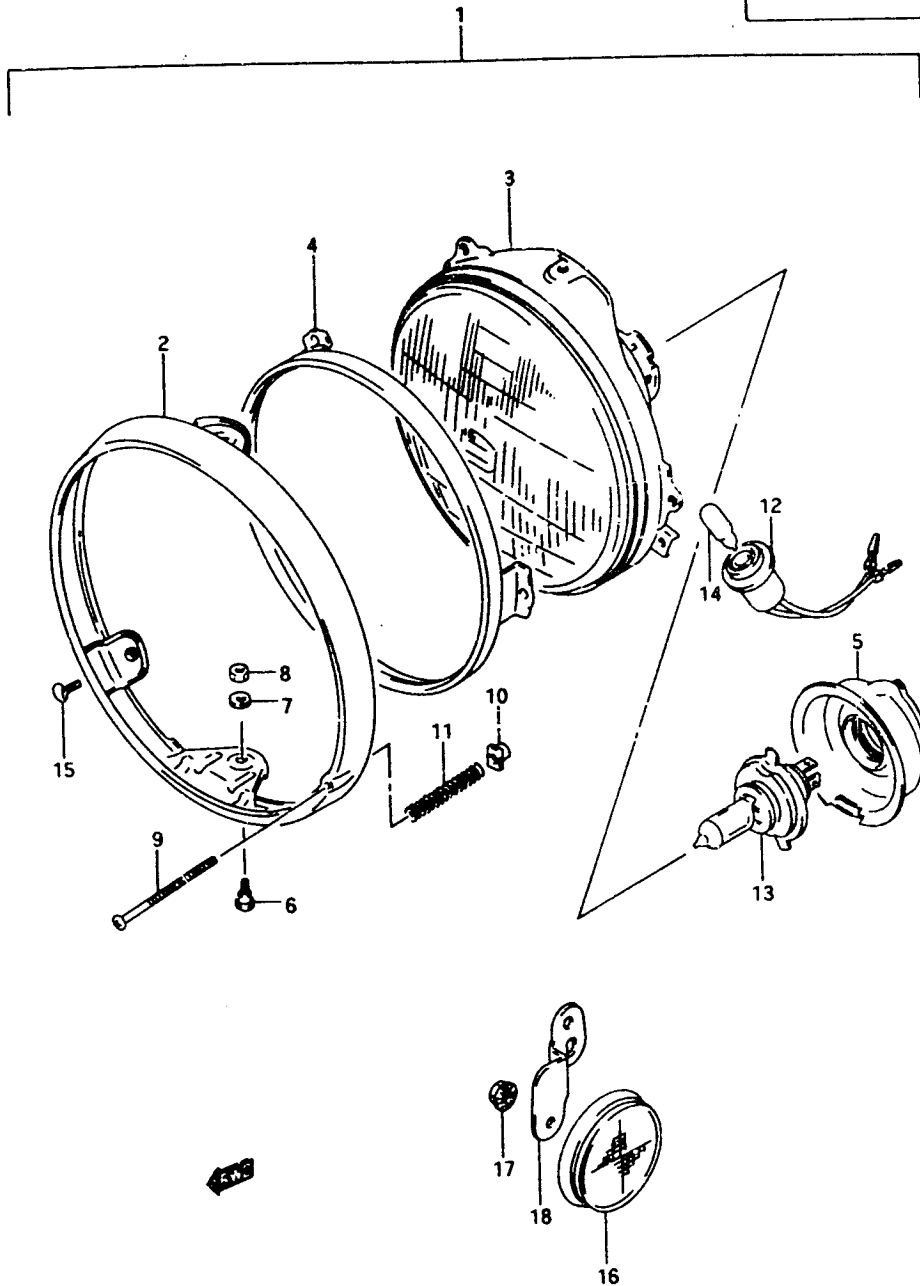


FIG. 29B

E - 10

43

FIG. 29B( E-10) HEADLAMP (model P/R EXCEPT E2,E24)



REF. NO.	PART NO.	DESCRIPTION	Q'TY	REMARKS
1-1	35100-10040-999	HEADLAMP ASSY	1	model P
1-2	35100-10051-999	HEADLAMP ASSY	1	model R
2	35111-01020	.RIM	1	
3	35121-10040	.LAMP UNIT	1	
4	35127-10020	.RING	1	
5	35173-20A01	.COVER, socket	1	
6	35181-15611	.SCREW	2	
7	08321-21057	.LOCK WASHER	2	
8	08310-11057	.NUT	2	
9	35151-45030	.SCREW, adjusting	1	
10	35152-15611	.NUT	1	
11	35154-31900	.SPRING	1	
12	36118-01020	.SOCKET	1	
13-1	09471-12061	BULB (12V60/55W)	1	model P E4, Executed locally
13-2	09471-12060	BULB (12V60/55W)	1	E17, E18, E21, E22, E25, E34,
14	09471-12063	BULB (12V, 4W)	1	
15	02132-05127	SCREW	2	
16	35950-14A00	REFLEX REFLECTOR, front side	2	E18
17-1	08316-26055	NUT	2	model P E18
17-2	08310-00053	NUT	2	model R E18
18-1	35956-45C01	BRACKET, front side RH	1	E18
18-2	35957-45C01	BRACKET, front side LH	1	E18

VX800R E2

AIR CLEANER.....	C-8	CYLINDER.....	B-6	FUEL COCK.....	F-10	OPTIONAL.....	H-12	SEAT.....	F-11	WIRING HARNESS.....	E-16
BATTERY.....	E-4	CYLINDER HEAD.....	B-2	FUEL TANK.....	F-8	PROPELLER SHAFT.....	D-9	SECOND DRIVE GEAR.....	D-6		