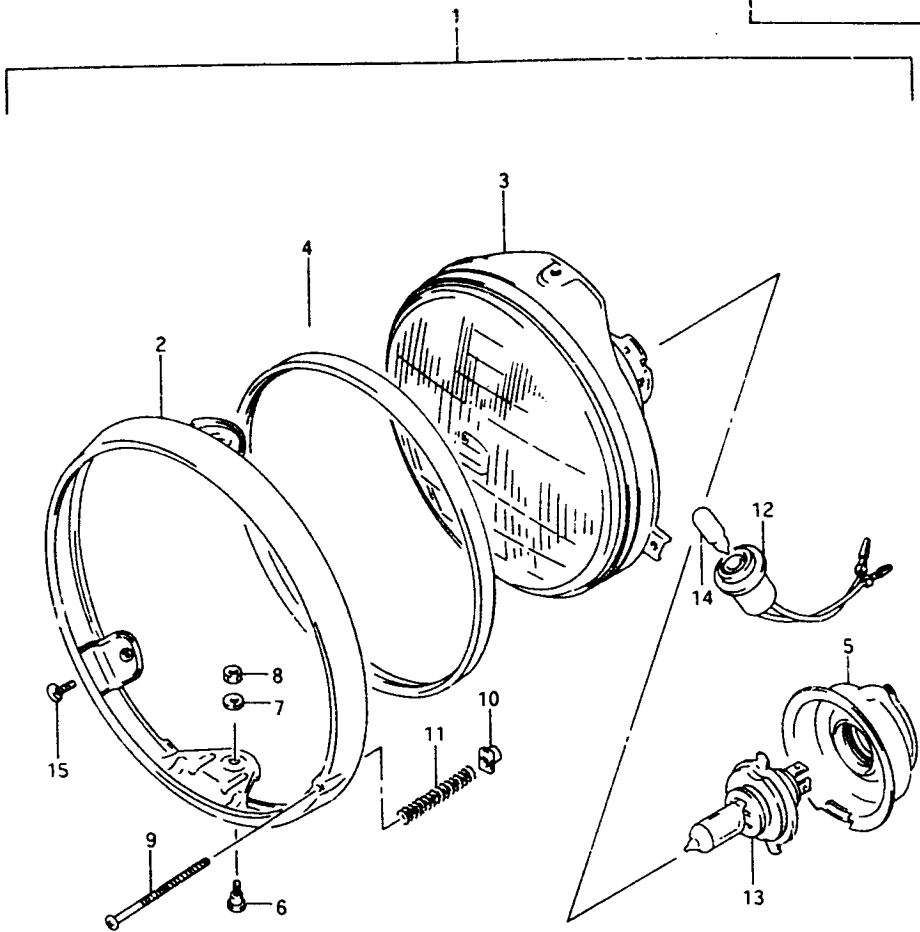


FIG. 29A

**E - 9**

FIG. 29A( E- 9) HEADLAMP (model P/R E2,E24)

REF.NO.	PART NO.	DESCRIPTION	Q'TY	REMARKS
1-1	35100-10020-999	HEADLAMP ASSY	1	E2
1-2	35100-10030-999	HEADLAMP ASSY	1	E24
2	35111-01020	.RIM	1	
3-1	35121-10020	.LAMP UNIT	1	E2
3-2	35121-10030	.LAMP UNIT	1	E24
4	35127-10020	.RING	1	
5	35173-20A01	.COVER, socket	1	
6	35181-15611	.SCREW	2	
7	08321-21057	.LOCK WASHER	2	
8	08310-11056	.NUT	2	
9	35151-45030	.SCREW, adjusting	1	
10	35152-15611	.NUT	1	
11	35154-31900	.SPRING	1	
12	36118-01020	.SOCKET	1	E2
13	09471-12060	BULB (12V,60/55W,H4)	1	
14	09471-12063	BULB (12V,4W)	1	E2
15	02132-05127	SCREW	2	



Refer to FIG. 29B(E-10) for model P/R EXCEPT E2,E24