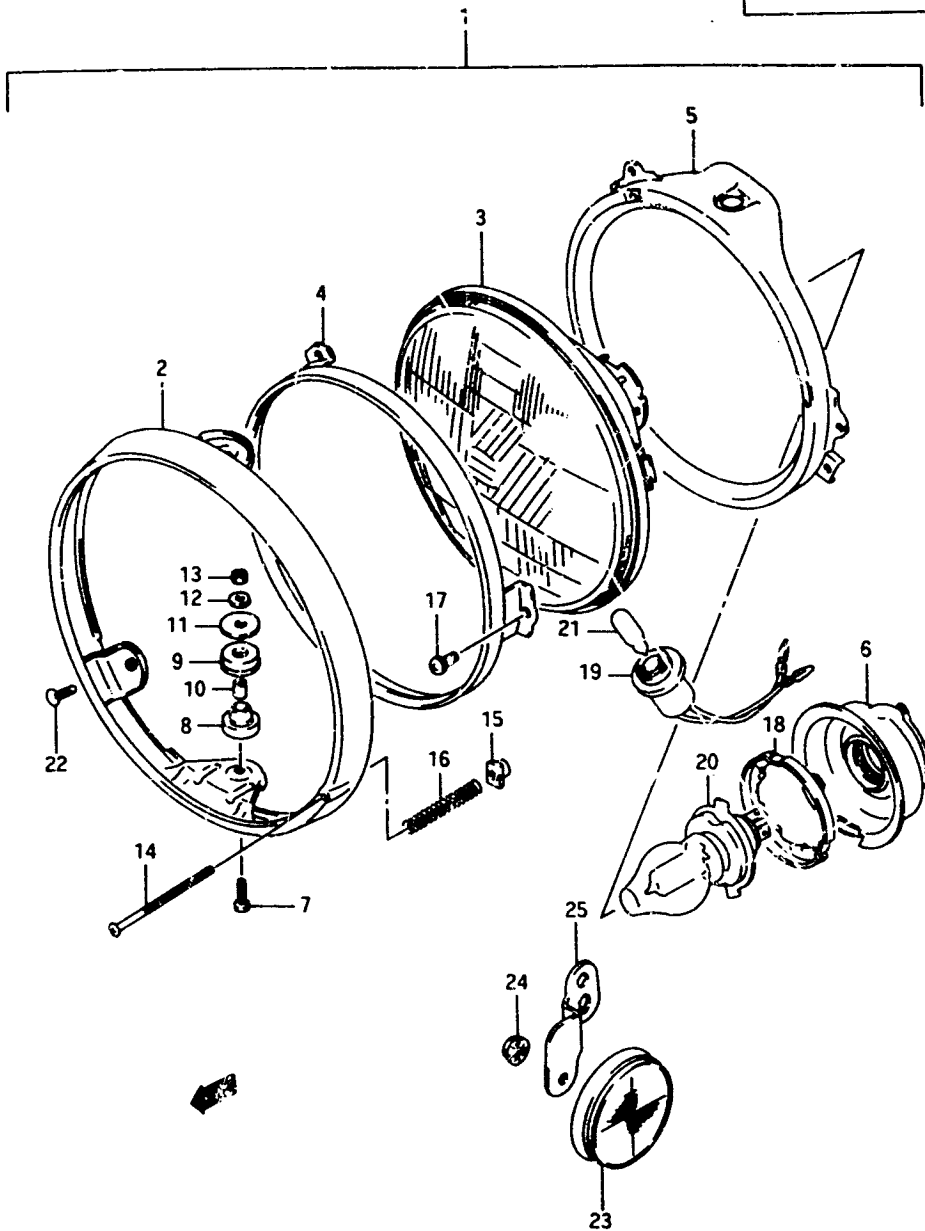


FIG. 29

E - 8

FIG. 29 (E- 8) HEADLAMP (model L/M/N EXCEPT E1,E2)
Q'TY



P/E/NO.	PART NO.	DESCRIPTION	Q'TY	REMARKS
1	35100-01D40-999	HEADLAMP ASSY	1	
2	35111-01D40	.RIM	1	
3	35121-34441	.LAMP UNIT	1	
4	35127-01D40	.RING	1	
5	35130-01D40	.RING, mounting	1	
6	35173-45000	.COVER, socket	1	
7	02112-05166	.SCREW	2	
8	35415-01D40	.CUSHION	2	
9	35416-01D40	.CUSHION	2	
10	35414-01D40	.SPACER	2	
11	35413-01D40	.WASHER	2	
12	08321-21057	.LOCK WASHER	2	
13	08310-11057	.NUT	2	
14	35151-01D40	.SCREW, adjusting	1	
15	35152-15611	.NUT	1	
16	35154-33,30	.SPRING	1	
17	0211 -04106	.SCREW	3	
18	35136-34400	.SETTER, bulb	1	
19	36118-01D20	.SOCKET	1	
20-1	09471-12061	BULB (12V60/55W)	1	E4, Executed locally
20-2	09471-1206G	BULB (12V60/55W)	1	E15, E16, E17, E18, E21, E22, E25, E34, E39
21	09471-12063	BULB (12V,4W)	1	
22	02132-05127	SCREW	2	
23	35940-14A00	REFLEX REFLECTOR, front side	2	E39
24	08316-26055	NUT	2	E39
25-1	35956-45C00	BRACKET, front side RH	1	E39
25-2	35957-45C00	BRACKET, front side LH	1	E39

Refer to FIG. 29A(E- 9) for model P/R E2,E24
Refer to FIG. 29B(E-10) for model P/R EXCEPT E2,E24

VX300R E2