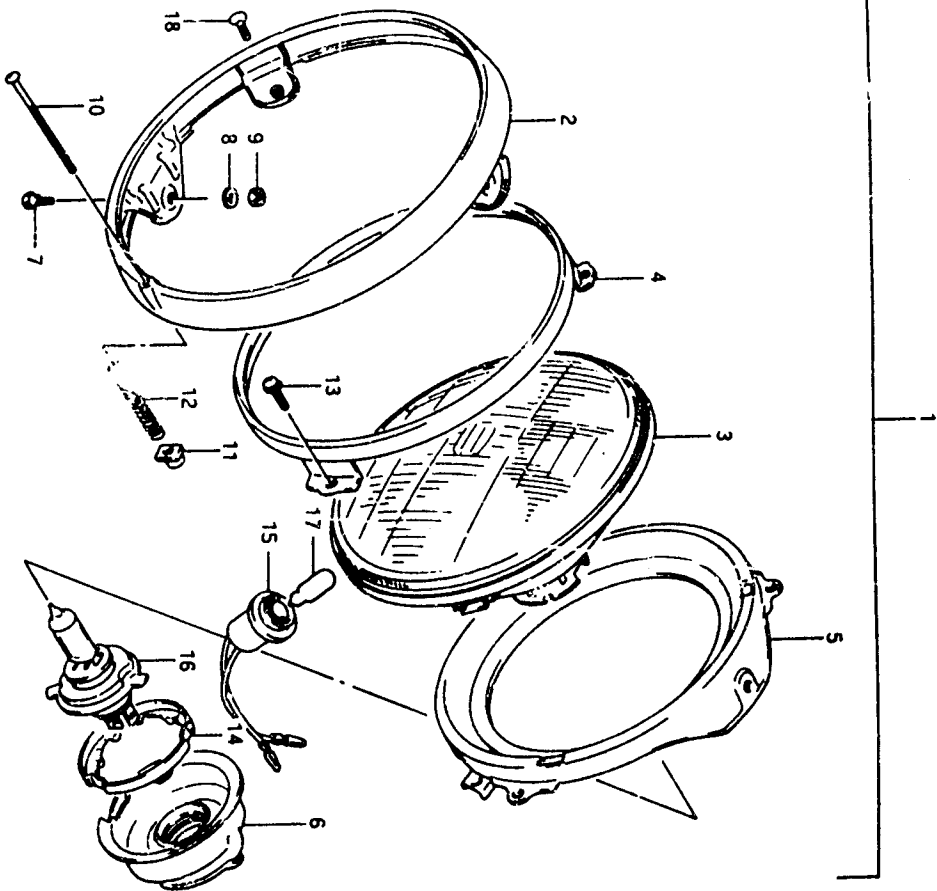


FIG. 28

E - 7



40

FIG. 28 (E - 7) HEADLAMP (model L/M/N 51,E2)

Q'TY

REMARKS

REF. NO.	PART NO.	DESCRIPTION	Q'TY	REMARKS
1	35100-01020	HEADLAMP ASSY	1	
2	35111-01020	.RING	1	
3	35121-34X00	.LAMP UNIT	1	
4	35127-43030	.RING	1	
5	35130-45070	.RING, mounting	1	
6	35173-45000	.COVER, socket	1	
7	35181-15611	.SCREW	2	
8	06321-21057	.LOCK WASHER	2	
9	06310-11056	.NUT	2	
10	35151-45030	.SCREW, adjusting	1	
11	35152-15611	.NUT	1	
12	35154-31900	.SPRING	1	
13	02112-04106	.SCREW	3	
14	35136-34400	.SETTER, bulb	1	
15	36118-01020	.SOCKET	1	
16	09471-12060	.BULB (12V, 60/55W, H4)	1	
17	09471-12063	.BULB (12V, 4W)	1	
18	02132-05127	.SCREW	2	

Refer to FIG. 29 (E-8) for model L/M/N EXCEPT E1,E2
 Refer to FIG. 29A(E-9) for model P/R E2,E2A
 Refer to FIG. 29B(E-10) for model P/R EXCEPT E2,E2A

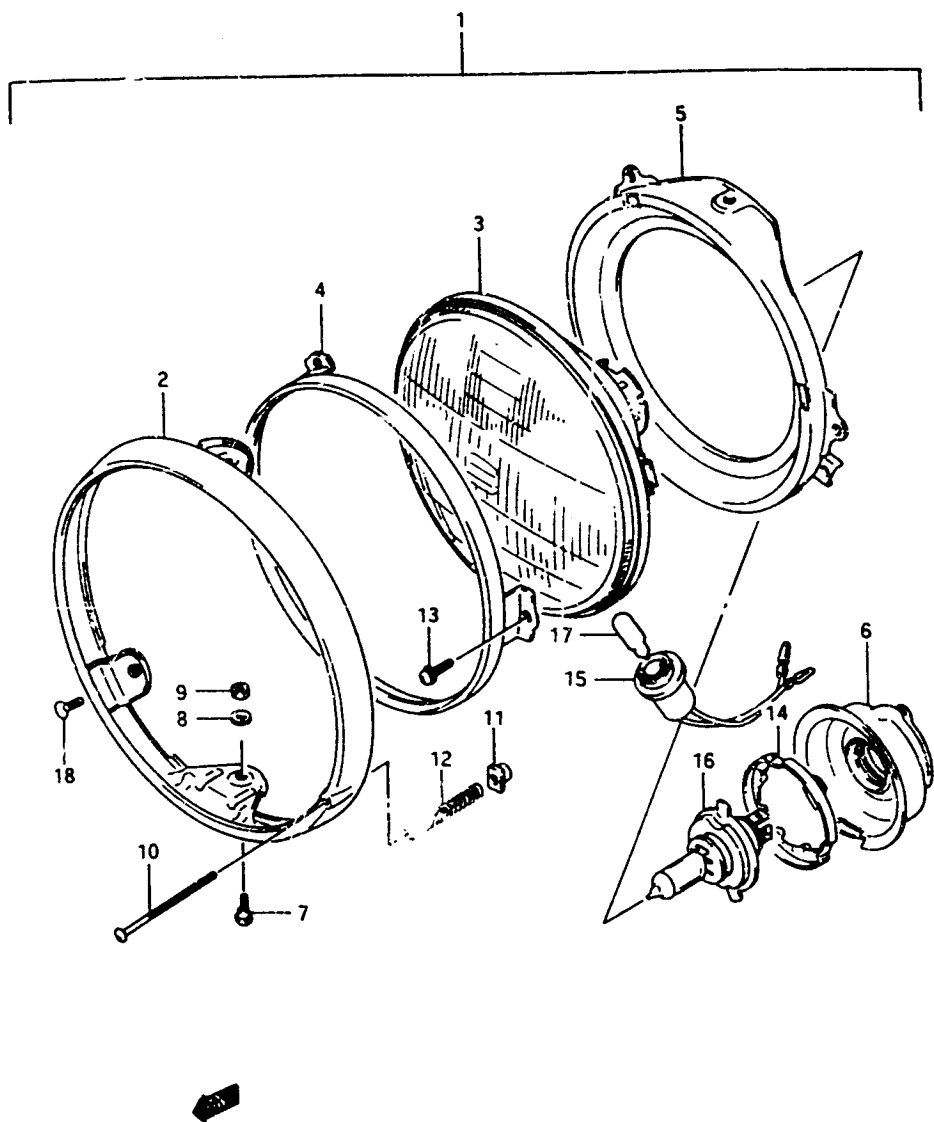
- ALL CLEANER..... C-8
- BATTERY..... E-4
- CAN CHAIN..... E-13
- CYLINDER..... B-8
- CYLINDER HEAD..... B-2
- ELECTRICAL..... E-5
- FUEL COCK..... F-10
- FUEL TANK..... F-8
- GEAR SHIFT..... D-7
- OPTIONAL..... B-12
- PROPELLER SHAFT..... D-9
- RADIATOR..... C-13
- SEAT..... F-11
- SECOND DRIVE GEAR..... D-6
- SPEEDOMETER..... E-6
- WIRING HARNESS..... E-16

VS000R E2

FIG. 28

E - 7

FIG. 28 (E - 7) HEADLAMP (model L/M/N E1,E2)



REF.NO.	PART NO.	DESCRIPTION	Q'TY	REMARKS
1	35100-01020	HEADLAMP ASSY	1	
2	35111-01020	.RIM	1	
3	35121-34300	.LAMP UNIT	1	
4	35127-45030	.RING	1	
5	35130-45070	.RING, mounting	1	
6	35173-45600	.COVER, socket	1	
7	35181-15611	.SCREW	2	
8	08321-21057	.LOCK WASHER	2	
9	09310-11056	.NUT	2	
10	35151-45030	.SCREW, adjusting	1	
11	35152-15611	.NUT	1	
12	35154-31900	.SPRING	1	
13	02112-04106	.SCREW	3	
14	35136-34400	.SETTER, bulb	1	
15	36118-01020	.SOCKET	1	
16	09471-12060	.BULB (12V,60/55W,H4)	1	
17	09471-12063	.BULB (12V,4W)	1	
18	02132-05127	SCREW	2	

Refer to FIG. 29 (E- 8) for model L/M/N EXCEPT E1,E2
 Refer to FIG. 29A(E- 9) for model P/R E2,E24
 Refer to FIG. 29B(E-10) for model P/R EXCEPT E2,E24

VX800R E2

AIR CLEANER.....	C-8	CYLINDER.....	B-8	FUEL COCK.....	F-10	OPTIONAL.....	H-12	SEAT.....	F-11	WIRING HARNESS.....	E-16
BATTERY.....	E-4	CYLINDER HEAD.....	B-2	FUEL TAP.....	F-8	PROPELLER SHAFT.....	D-9	SECOND DRIVE GEAR.....	D-6		
CAN CHAIN.....	B-13	ELECTRICAL.....	E-5	GEAR SHIFT.....	D-7	RADIATOR.....	C-13	SPEEDOMETER.....	E-6		