

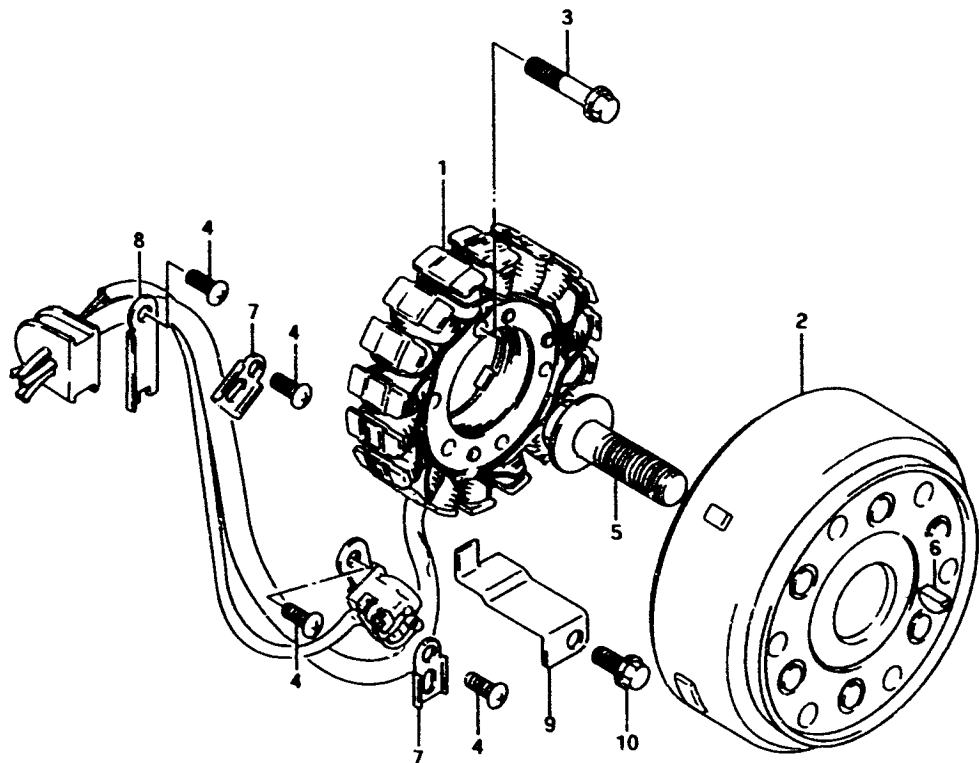
FIG. 24

E - 3

X6

FIG. 24 (E-3) MAGNETO

REF. NO.	PART NO.	DESCRIPTION	Q'TY	REMARKS
1	32101-45000	STATOR	1	
2	32102-45000	ROTOR	1	
3	01547-06307	BOLT	5	
4	02112-05108	SCREW	4	
5	09103-14001	BOLT	1	
6	09420-04008	KEY	1	
7	31497-45000	CLAMP	2	
8	32371-38A10	CLAMP	1	
9	32371-38A20	CLAMP	1	
10-1	01517-06108	BOLT	1	model L/M/N/P
10-2	01547-06103	BOLT	1	model R



VX800R E2

AIR CLEANER.....	C-8	CYLINDER.....	B-6	FUEL COCK.....	F-10	OPTIONAL.....	N-12	SEAT.....	F-11	WIRING HARNESS.....	E-16
BATTERY.....	E-4	CYLINDER HEAD.....	B-2	FUEL TANK.....	F-8	PROPELLER SHAFT.....	D-9	SECOND DRIVE GEAR.....	D-6		
CAN CHAIN.....	B-15	ELECTRICAL.....	E-5	GEAR SWIFT.....	D-7	RADIATOR.....	C-13	SPEEDOMETER.....	E-6		