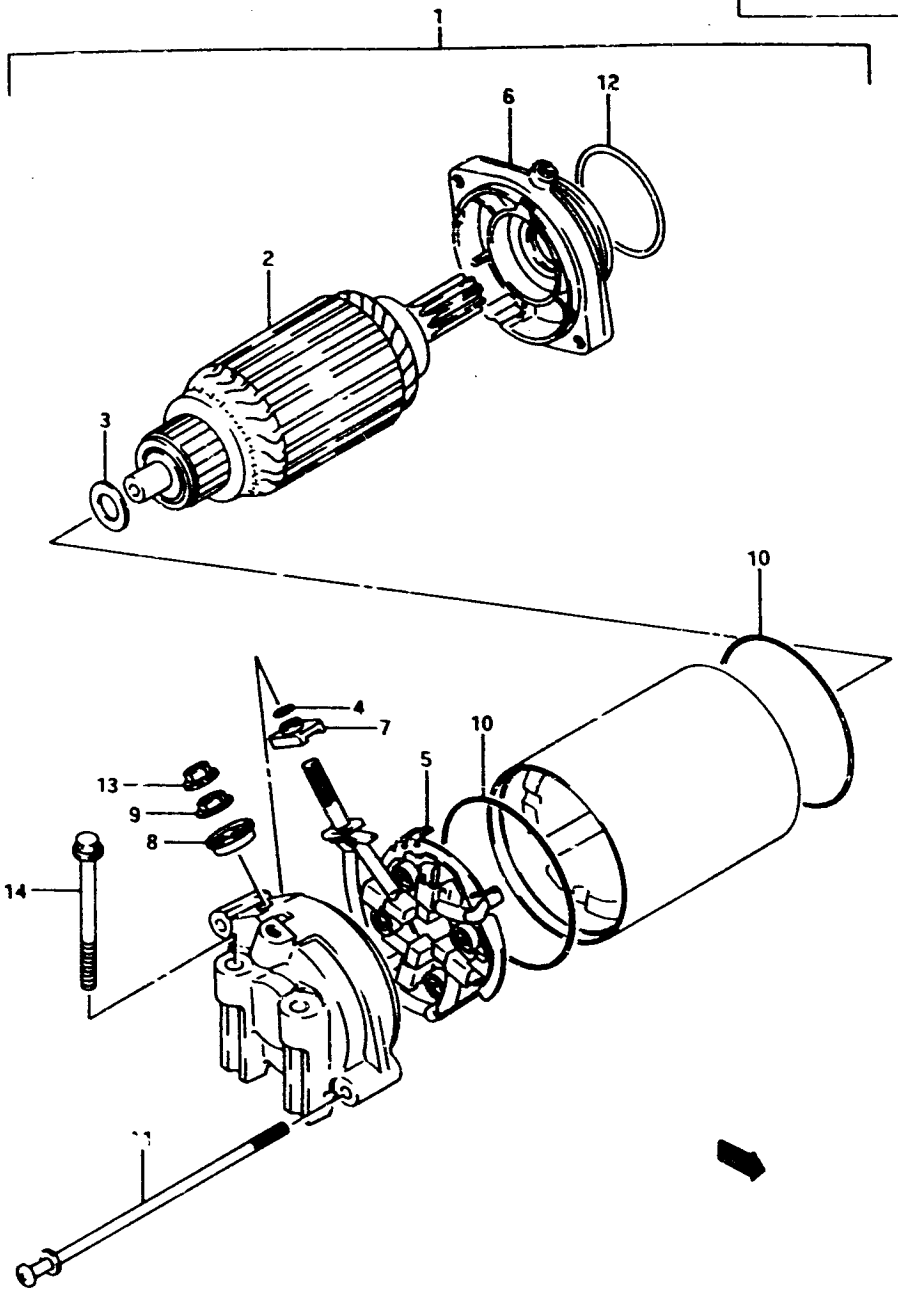


FIG. 23

E - 2

FIG. 23 (E- 2) STARTING MOTOR



REF. NO.	PART NO.	DESCRIPTION	Q'TY	REMARKS
1	31100-45C00	MOTOR ASSY, starting	1	
2	31310-45C00	.ARMATURE	1	
3	31361-47010	.WASHER	1	
4	31143-38300	.O RING	1	
5	31172-45C00	.BRUSH HOLDER SET (-)	1	
6	31150-38A00	.BRACKET SET	1	
7	31172-38300	.BUSHING	1	
8	31173-88C00	.BUSHING	1	
9	08310-22067	.NUT	1	
10	31264-44110	.O RING	2	
11	31281-31D00	.SCREW	2	+31281-38A00
12	31156-38A00	.O RING	1	
13	08361-35066	NUT	1	
14	01547-06607	BOLT	2	