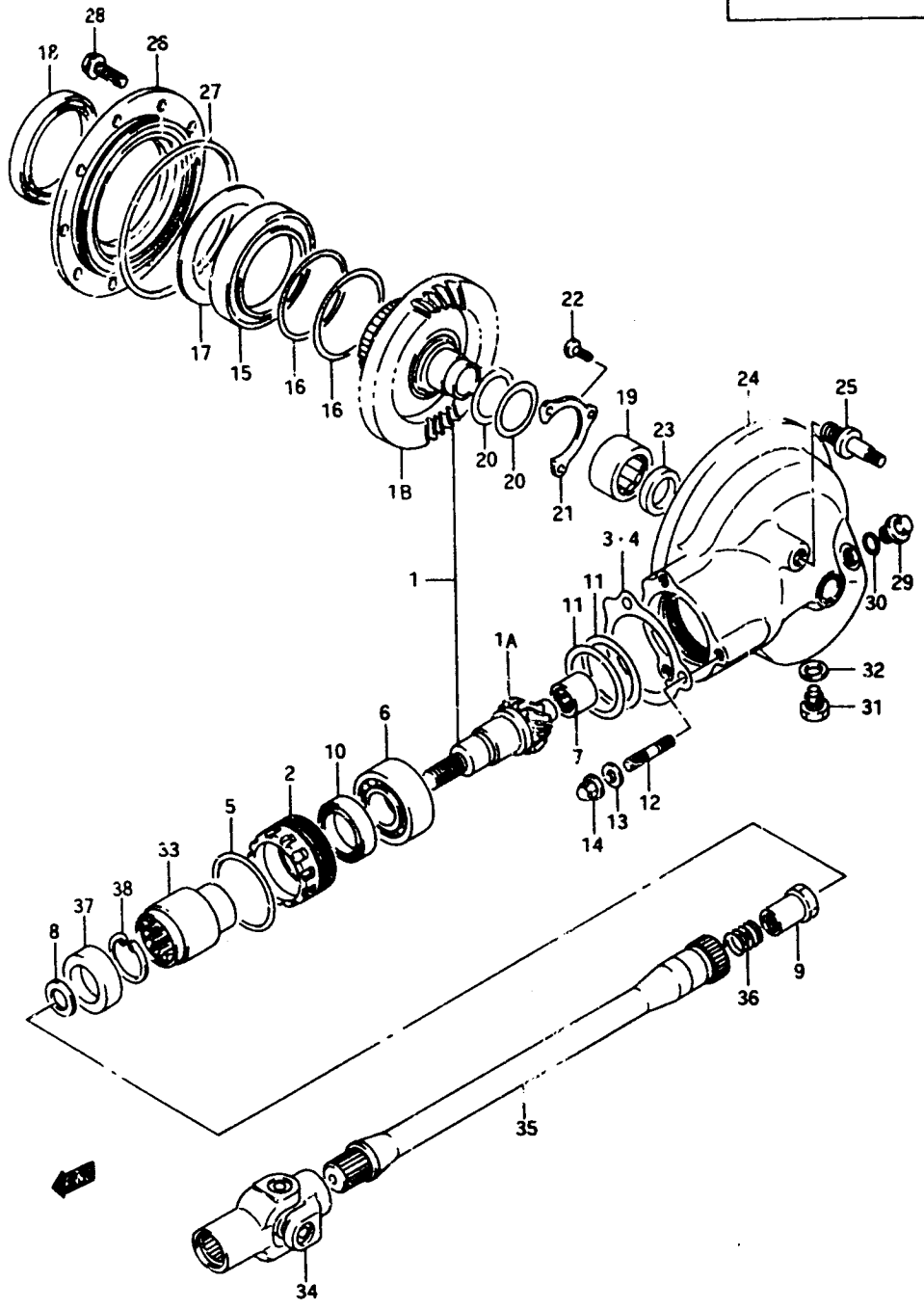


D - 9

FIG. 22

FIG. 22 (D- 9) PROPELLER SHAFT - FINAL DRIVE GEAR



REF.NO.	PART NO.	DESCRIPTION	Q'TY	REMARKS
	27300-45842-13L	GEAR & CASE SET, final bevel	1	model L
	27300-45842-23W	GEAR & CASE SET, final bevel	1	model M/N/P
1	27300-45831	.FINAL GEAR SET	1	
1A	27311-38A00	.GEAR, final drive bevel	1	
1B	27320-45C01	.GEAR, final driven bevel	1	
2	27312-38A00	.STOPPER, bearing	1	
3	27313-45C00	.PLATE	1	
4	27313-38A60	.PLATE	1	+27313-45C10
5	09280-62002	.O RING (D:1.9, ID:61.6)	1	
6	09267-30005	.BEARING (30x60x23.8)	1	
7	09263-17028	.BEARING (17x32x16)	1	
8	09160-16029	.WASHER (16x29x4)	1	
9	09159-16010	.NUT	1	
10	09283-38009	.OIL SEAL (38x54x6)	1	
11-1	27445-38A00-030	.SHIM (T:0.30)	0-2	
11-2	27445-38A00-035	.SHIM (T:0.35)	0-2	
11-3	27445-38A00-040	.SHIM (T:0.40)	0-2	
11-4	27445-38A00-050	.SHIM (T:0.50)	0-2	
11-5	27445-38A00-060	.SHIM (T:0.60)	0-2	
12	09108-10095	.STUD BOLT	3	
13	09164-10008	.LOCK WASHER	3	
14	09159-10026	.NUT	3	+09159-10092
15	09262-70001	.BEARING, RH	1	
16-1	27327-34200	.SHIM (T:0.35)	0-2	
16-2	27327-34210	.SHIM (T:0.40)	0-2	
16-3	27327-34220	.SHIM (T:0.50)	0-2	
16-4	27327-34230	.SHIM (T:0.60)	0-2	
17	27328-34200	.PLATE	1	
18	09289-700G1	.OIL SEAL, RH	1	
19	09263-32007	.BEARING, LH	1	
20-1	27326-34201	.SHIM (T:1.05)	0-2	
20-2	27326-34211	.SHIM (T:1.10)	0-2	
20-3	27326-34221	.SHIM (T:1.20)	0-2	
20-4	27326-34231	.SHIM (T:1.25)	0-2	
20-5	27326-34241	.SHIM (T:1.35)	0-2	

VX800R E2

AIR CLEANER.....	C-8	CYLINDER.....	B-8	FUEL COCK.....	F-10	OPTIONAL.....	H-12	SEAT.....	F-11	WIRING HARNESS.....	E-16
BATTERY.....	E-4	CYLINDER HEAD.....	B-2	FUEL TANK.....	F-8	PROPELLER SHAFT.....	D-9	SECOND DR	G-6		
CAN CHAIN.....	B-13	ELECTRICAL.....	E-5	GEAR SHIFT.....	D-7	RADIATOR.....	C-13	SPEEDOMETE.....	E-8		