

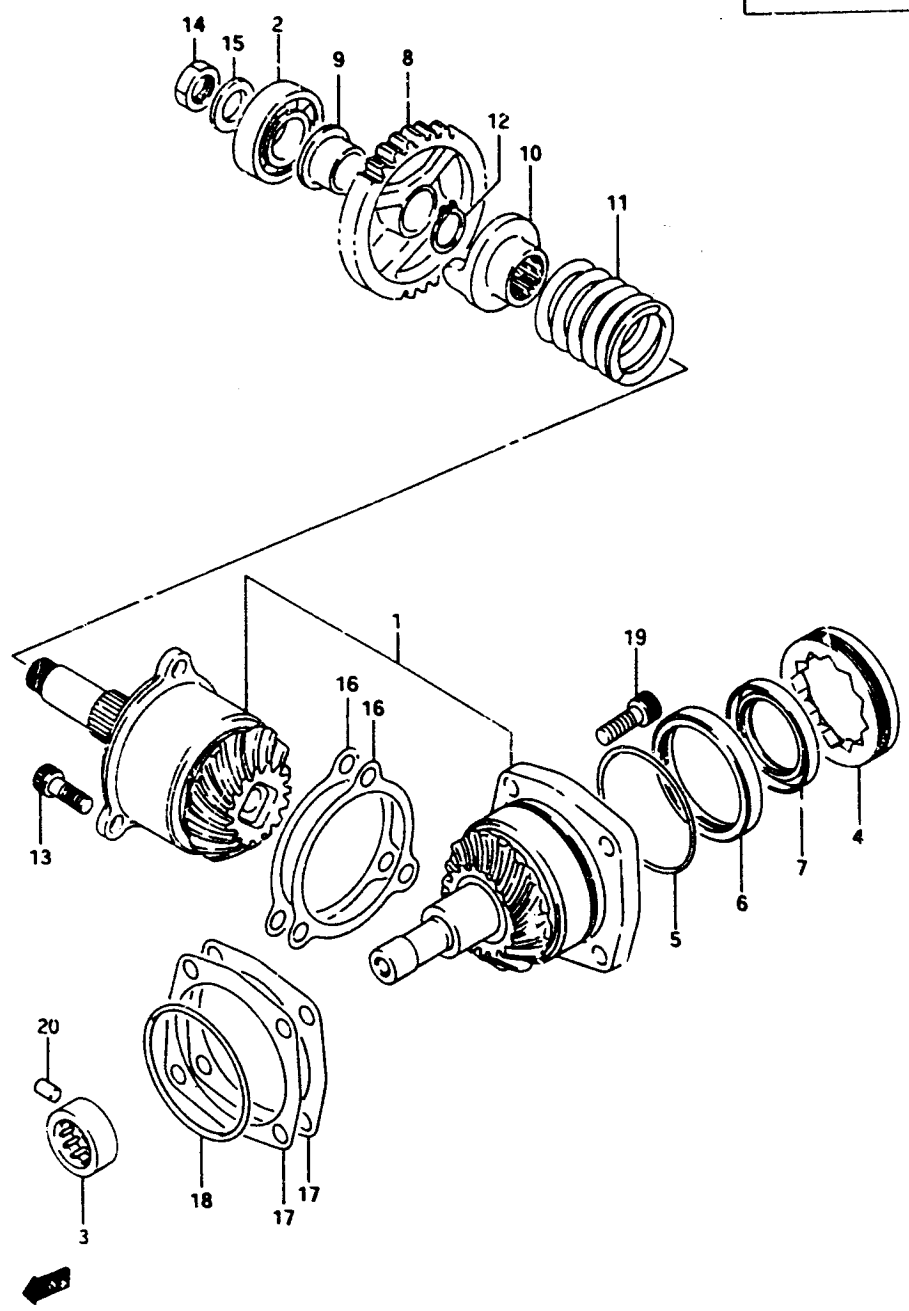
FIG. 20

**D - 6**

30

FIG. 20 ( D- 6) SECONDARY DRIVE GEAR

REF. NO.	PART NO.	DESCRIPTION	Q'TY	REMARKS
1	24900-38822	2ND. GEAR & HOUSING SET (HT:15)	1	
2	09262-20073	.BEARING (20x52x15)	1	
3	09263-20038	.BEARING (20x34x16)	1	
4	24942-38A50	.STOPPER, bearing	1	
5	09260-60003	.O RING (D:1.2, ID:59.6)	1	
6	24943-38A50	.HOUSING, oil	1	
7	09263-38016	.OIL SEAL (38x54x8.5)	1	
8	24631-45C00	GEAR, reduction driven (NT:30)	1	
9	24632-38A00	BUSH	1	
10	24922-38A00	DOG, output cam	1	
11	C9440-46003	SPRING	1	
12	08331-31216	CIRCLIP	1	
13-1	07110-08256	BOLT	3	model L/M/N/P
13-2	07130-08253	BOLT	3	model R
14	09140-16014	NUT	1	
15	09160-16029	WASHER (16x29x4)	1	
16-1	24935-38A01-030	SHIM (T:0.30)	0-2	
16-2	24935-38A01-035	SHIM (T:0.35)	0-2	
16-3	24935-38A01-040	SHIM (T:0.40)	0-2	
16-4	24935-38A01-050	SHIM (T:0.50)	0-2	
16-5	24935-38A01-060	SHIM (T:0.60)	0-2	
17-1	24945-05A00-0A0	SHIM (T:0.30)	0-2	
17-2	24945-05A00-0B0	SHIM (T:0.35)	0-2	
17-3	24945-05A00-0C0	SHIM (T:0.40)	0-2	
17-4	24945-05A00-0D0	SHIM (T:0.50)	0-2	
17-5	24945-05A00-0E0	SHIM (T:0.60)	0-2	
18	09280-67004	O RING (D:2.1, ID:66.2)	1	
19-1	07110-08256	BOLT	4	model L/M/N/P
19-2	07130-08253	BOLT	4	model R
20	04221-07129	PIN	1	



VX800R E2