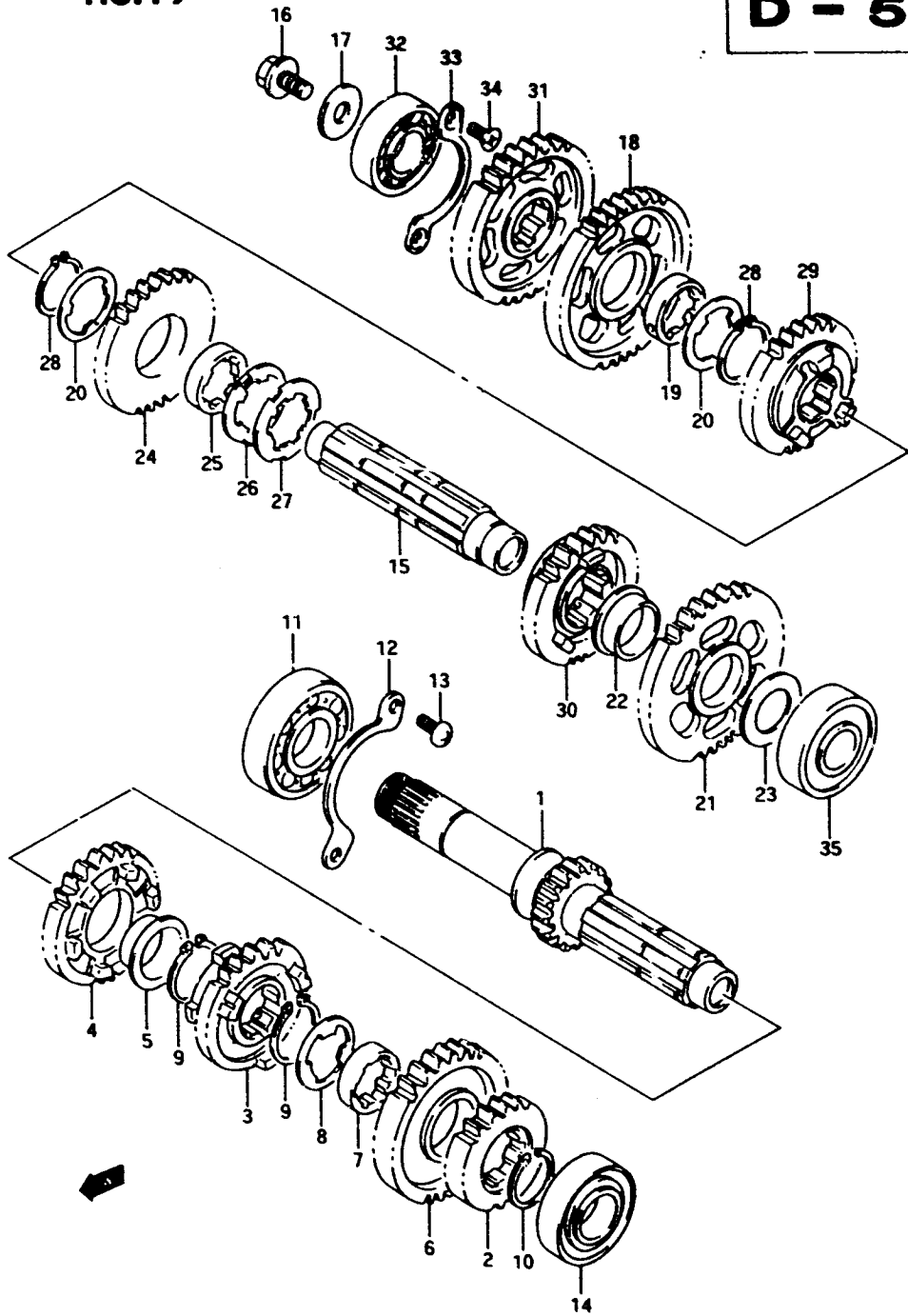


FIG.19

D - 5



29

FIG.19 (D- 5) TRANSMISSION

REF.NO.	PART NO.	DESCRIPTION	Q'TY	REMARKS
31	24621-45C00	GEAR, reduction drive (NT:31)	1	
32	09262-20073	BEARING, RH	1	
33	24751-38A00	RETAINER	1	
34	02122-06128	SCREW	2	
35	09262-20080	BEARING, LH	1	

VX800R E2