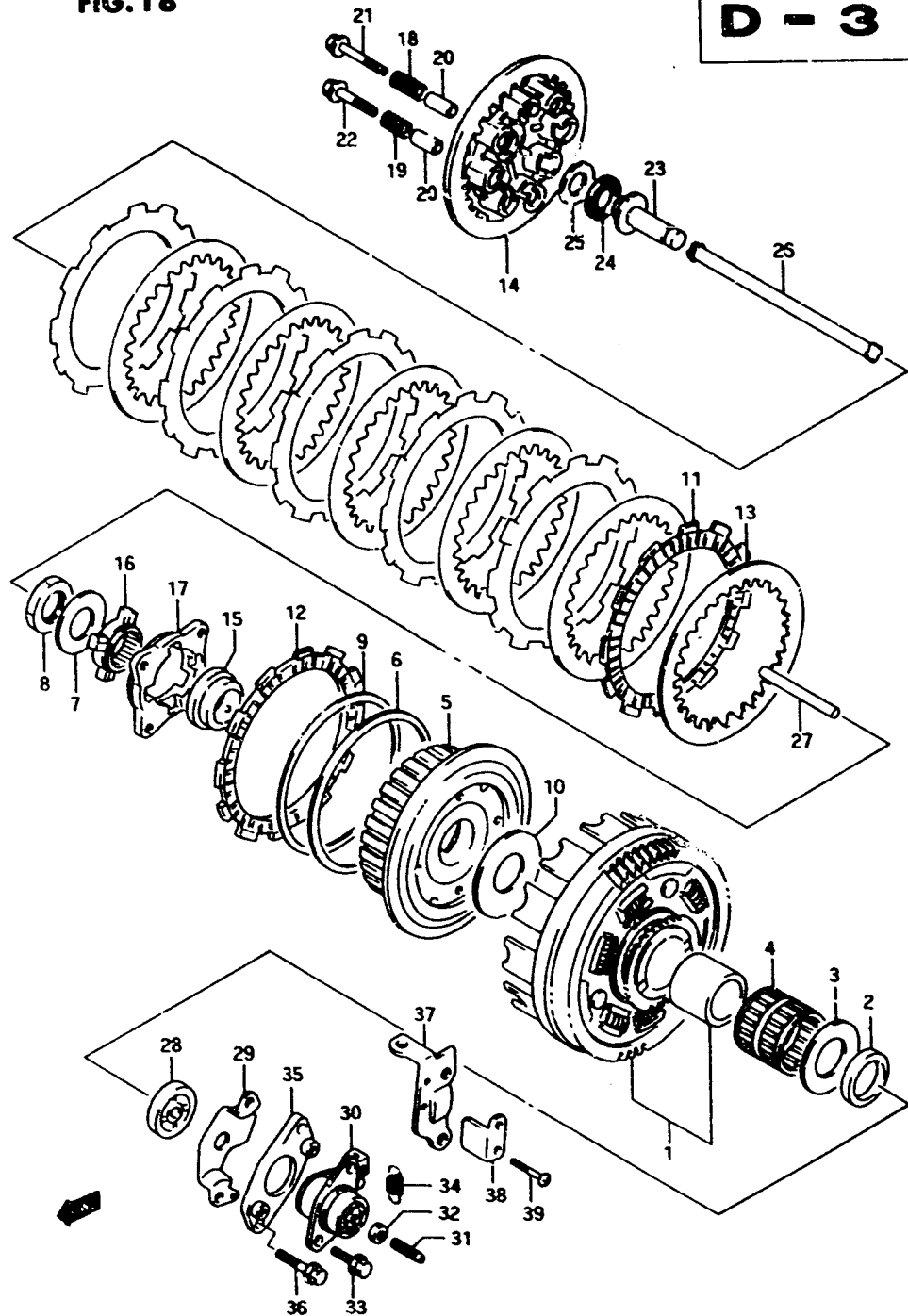


FIG. 18

D - 3

27

FIG. 18 (D- 3) CLUTCH



REF. NO.	PART NO.	DESCRIPTION	Q'TY	REMARKS
33-1	01517-06166	BOLT	2	model L/M/N/P
33-2	01550-06163	BOLT	2	model R
34	09443-09024	SPRING	1	
35	23130-45C00	PLATE, clutch release screw	1	
36-1	01517-06256	BOLT	2	model L/M/N/P
36-2	01550-06253	BOLT	2	model R
37	23281-45C01	GUIDE, clutch cable	1	
38	23282-45C00	PLATE	1	
39	09125-05072	SCREW (5x40)	2	

VX800R E2

AIR CLEANER.....	C-8	CYLINDER.....	B-6	FUEL COCK.....	F-10	OPTIONAL.....	H-12	SEAT.....	F-11	WIRING HARNESS.....	E-16
BATTERY.....	E-4	CYLINDER HEAD.....	B-2	FUEL TANK.....	F-8	PROPELLER SHAFT.....	D-9	SECOND DRIVE GEAR.....	D-6		
CAS CHAIN.....	B-13	ELECTRICAL.....	F-5	GEAR CASE.....	D-7			SPEEDOMETER.....	F-6		