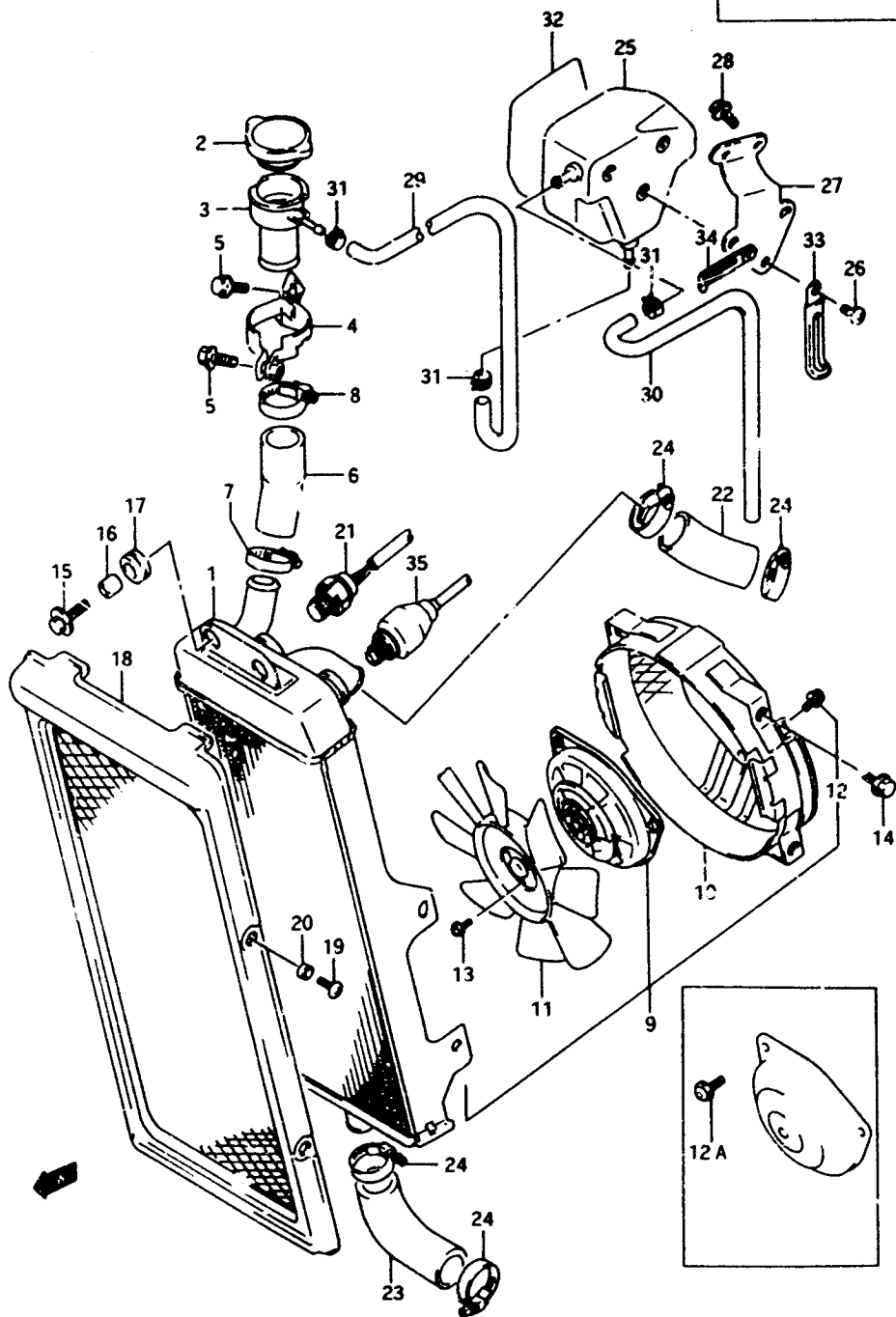


FIG. 17

C - 13

24

FIG. 17 (C-13) RADIATOR



REF. NO.	PART NO.	DESCRIPTION	Q'TY	REMARKS
1	17710-45C00	RADIATOR	1	
2	17730-12C01	CAP, radiator (1.1)	1	+17730-20930
3	17791-45C00	CONNECTION, radiator	1	
4	17793-45C00	BRACKET, conduction	1	
5-1	01517-06164	BOLT	2	model L/M/N/P
5-2	01550-06163	BOLT	2	model R
6	17859-45C00	HOSE, conduction	1	
7	09402-30502	CLAMP	1	
8	09402-32502	CLAMP	1	
9-1	17800-45C00	FAN ASSY	1	model L/M
9-2	17800-45C01	FAN ASSY	1	model N/P/R
10-1	17760-45C00	.SHROUD	1	model L/M
10-2	17760-45C01	.SHROUD	1	model N/P/R
11	17820-45C00	.FAN	1	
12	02112-75105	.SCREW	3	model L/M
12A	17801-45C00	.SCREW	3	model N/P/R
13	17801-05A00	.SCREW, fan	3	
14-1	01517-06108	BOLT	4	model L/M/N/P
14-2	01550-06103	BOLT	4	model R
15	09116-06131	BOLT (6x25)	3	
16	09180-06030	SPACER (6.8x10x10)	3	
17	09320-10015	CUSHION	3	
18	17761-45C00	COVER, radiator	1	
19-1	09139-06078	SCREW (6x10)	4	model L
19-2	09139-06055	SCREW (6x10)	4	model M/N
19-3	02142-06108	SCREW	4	model P
20	09180-06102	SPACER (6.4x9x3.5)	4	
21	17680-45C00	SWITCH, radiator fan	1	
22	17851-45C00	HOSE, radiator IN	1	
23	17852-45C00	HOSE, radiator OUT	1	
24	09402-30502	CLAMP	4	
25-1	17911-45C00	TANK, reservoir	1	model L/M/N/P
25-2	17911-45C10	TANK, reservoir	1	model R
26	02142-06086	SCREW	3	
27	17920-45C00	BRACKET, reservoir tank	1	
28-1	01517-06204	BOLT	2	model L/M/N/P
28-2	01550-06203	BOLT	2	model R

VX800R E2