

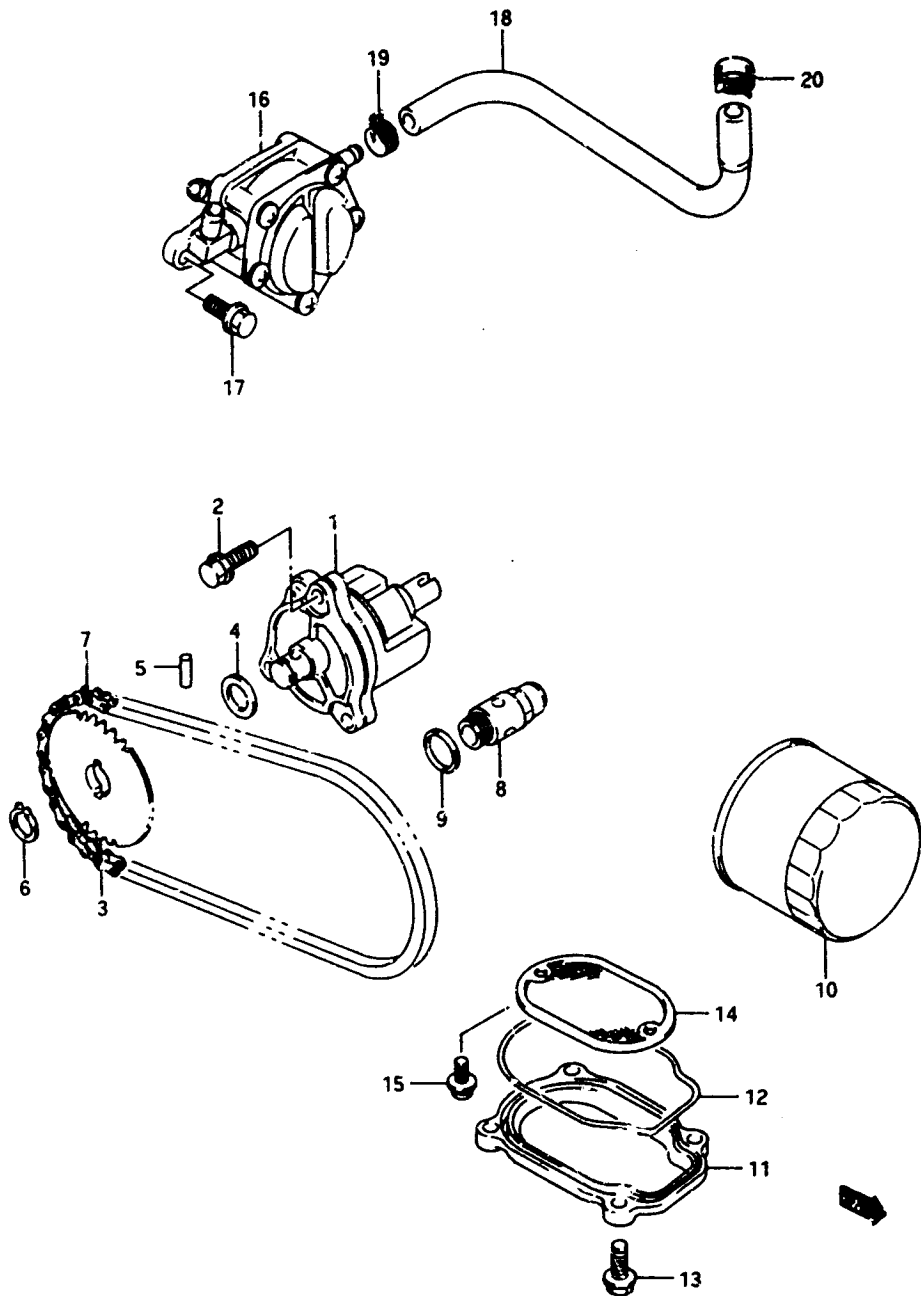
FIG. 15

C-11

22

FIG. 15 (C-11) OIL PUMP - FUEL PUMP

REF. NO.	PART NO.	DESCRIPTION	Q'TY	REMARKS
1	16400-38A01	PUMP ASSY, oil	1	
2-1	01517-06257	BOLT	3	model L/M/N/P
2-2	01550-06253	BOLT	3	model R
3	16331-38A00	SPROCKET, oil pump driven	1	
4	08221-12205	WASHER	1	
5	09261-05006	PIN	1	
6	08331-31126	CIRCLIP	1	
7	16310-38A00	CHAIN, oil pump drive	1	
8	16440-24A01	VALVE ASSY, oil relief	1	
9	09168-16002	GASKET	1	
10	16510-06801	FILTER, oil	1	
11	16523-38A00	CAP, oil strainer	1	
12	16528-38A00	O RING	1	
13-1	01517-06207	BOLT	4	model L/M/N/P
13-2	01550-06203	BOLT	4	model R
14	16520-38A00	STRAINER, oil	1	
15	02112-75126	SCREW	2	
16-1	15100-45C00	PUMP ASSY, fuel	1	model L/M/N
16-2	15100-45C10	PUMP ASSY, fuel	1	model P/R
17-1	01517-06164	BOLT	2	model L/M/N/P
17-2	01550-05163	BOLT	2	model R
18	09359-54111-600	HOSE, fuel (pump to carburetor)	1	L:600+320
19	09401-10409	CLIP	1	
20	09401-12406	CLIP	1	



VX800R E2