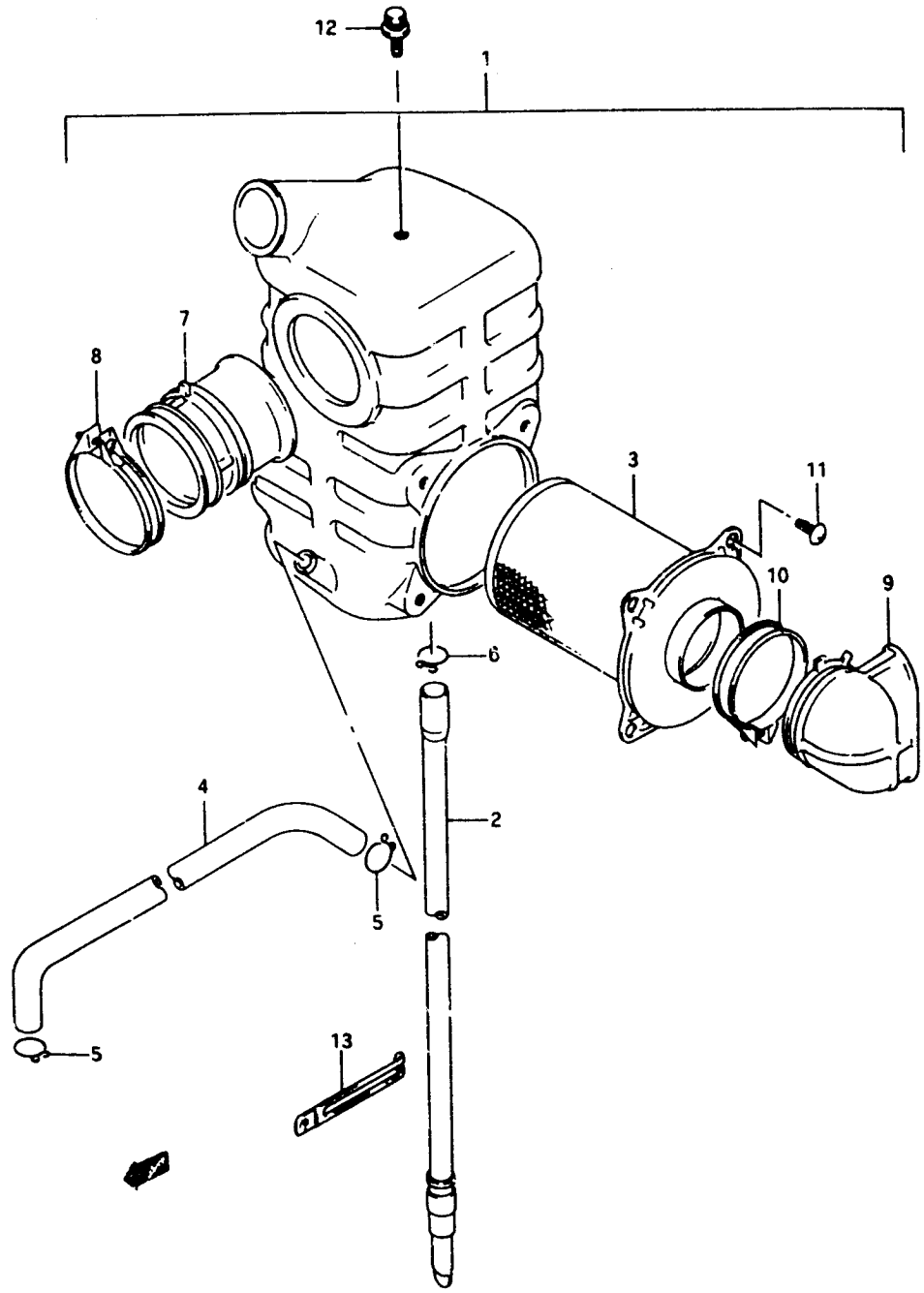


FIG. 13

C - 9



20

FIG. 13 (C - 9) AIR CLEANER (REAR)

REF. NO.	PART NO.	DESCRIPTION	Q'TY	REMARKS
1-1	13700-45C50	CLEANER ASSY, air rear	1	E1,model L E16
1-2	13700-45C60	CLEANER ASSY, air rear	1	E2,E4,E15,E17,E18,E21,E22, E24,E25,E34,E39 model M/N E16
2	13876-11294	.TUBE, drain	1	
3-1	13780-45C00	.FILTER ASSY, air	1	E1,model L E16
3-2	13780-45C10	.FILTER ASSY, air	1	E2,E4,E15,E17,E18,E21,E22, E24,E25,E34,E39 model M/N E16
4	13853-45C50	.TUBE, breather	1	
5	09401-14301	.CLIP	2	
6	13824-00A00	.CLIP	1	
7	13881-45C50	.TUBE, outlet	1	
8	09402-58208	.CLAMP	1	
9	13891-45C00	.TUBE, inlet	1	
10	09402-56208	.CLAMP	1	
11	02142-05087	.SCREW	4	
12-1	01177-06125	BOLT	2	model L/M/H/P
12-2	01580-06123	BOLT	2	model R
13	09404-10404	CLAMP	1	

VX800R E2