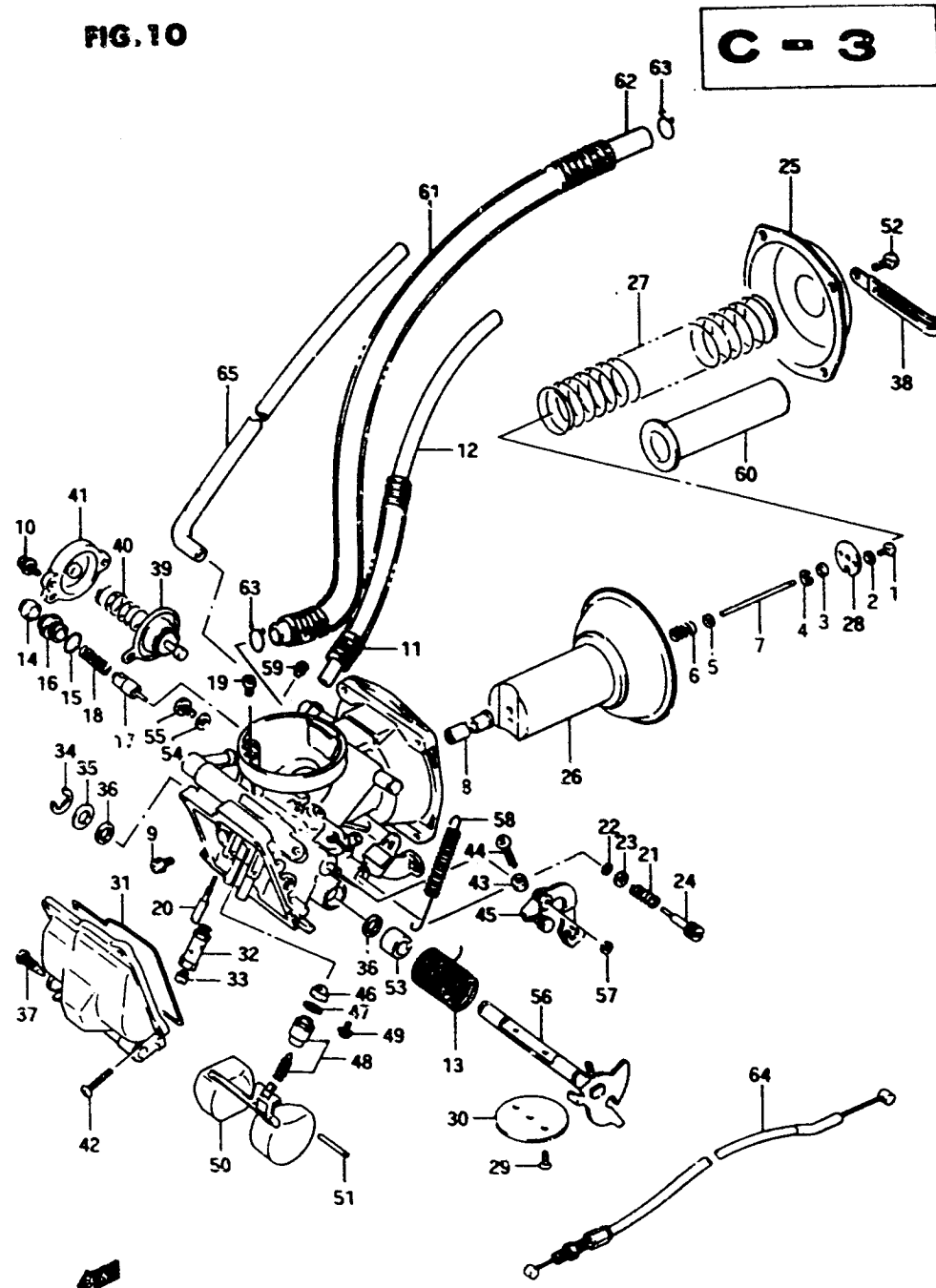


FIG. 10

C - 3

14

FIG. 10 ( C - 3 ) CARBURETOR (FRONT)



REF. NO.	PART NO.	DESCRIPTION	Q'TY	REMARKS
18	13417-22010	.SPRING	1	
19	09492-65005	.JET, pilot air (65)	1	
20-1	09492-40021	.JET, pilot (40)	1	+09492-40020
20-2	09492-40021	.JET, pilot (40)	1	E18
21	13268-47070	.SPRING	1	EXCEPT E18
22	13295-29900	.O RING	1	EXCEPT E18
23	13291-29900	.WASHER	1	EXCEPT E18
24-1	13279-47070	.SCREW, pilot (1 1/8)	1	EXCEPT E18
24-2	13279-47070	.SCREW, pilot (1 1/4)	1	E17
24-3	13279-47070	.SCREW, pilot (1.0)	1	E22,E24,E39 model M/N E15
25	13502-45C10	.COVER	1	
26-1	13500-05A10	.DIAPHRAGM ASSY	1	
26-2	13500-45C00	.DIAPHRAGM ASSY	1	E18
27	13503-38800	.SPRING	1	
28	13389-37400	.PLATE	1	
29	13604-44080	.SCREW	2	
30	13551-45C00	.VALVE, throttle (115)	1	
31	13251-38A00	.O RING	1	
32	13385-05A11	.HOLDER	1	
33-1	09491-24015	.JET, main (122.5)	1	E1,E2,E4,E16,E17,E21, E25,E34,VX800R /UM/UN/UP E22 model L E15
33-2	09491-25014	.JET, main (125)	1	E18
33-3	09491-24012	.JET, main (120)	1	E22,E24,E39 model M/N E15
34	13617-44080	.E RING	1	
35	13557-47070	.WASHER	1	
36	13556-05A10	.SEAL	2	
37	13247-13A00	.SCREW, drain	1	+13247-38800
38	13671-05A20	.CLAMP	1	
39	13480-05A10	.DIAPHRAGM ASSY	1	

Note : The component part for VX800R E22 spec, will be announced later by supplementary issue. So please do not use the parts number for VX800R E22 spec. in this page.

VX800R E2

AIR CLEANER.....	C-8	CYLINDER.....	S-6	FUEL COCK.....	F-10	OPTIONAL.....	H-12	SEAT.....	F-11	WIRING HARNESS.....	E-16
BATTERY.....	E-4	CYLINDER HEAD.....	B-2	FUEL TANK.....	F-8	PROPELLER SHAFT.....	D-9	SECOND DRIVE GEAR.....	D-6		
CAN CHAIN.....	B-13	ELECTRICAL.....	E-5	GEAR SHIFT.....	D-7	RADIATOR.....	C-13	SPEEDOMETER.....	E-6		
CRANKSHAFT.....	B-18	FOOTREST.....	F-5	HEAD LIGHT.....	D-10	REAR VIEW MIRROR.....	F-8	STAMP.....	F-5		