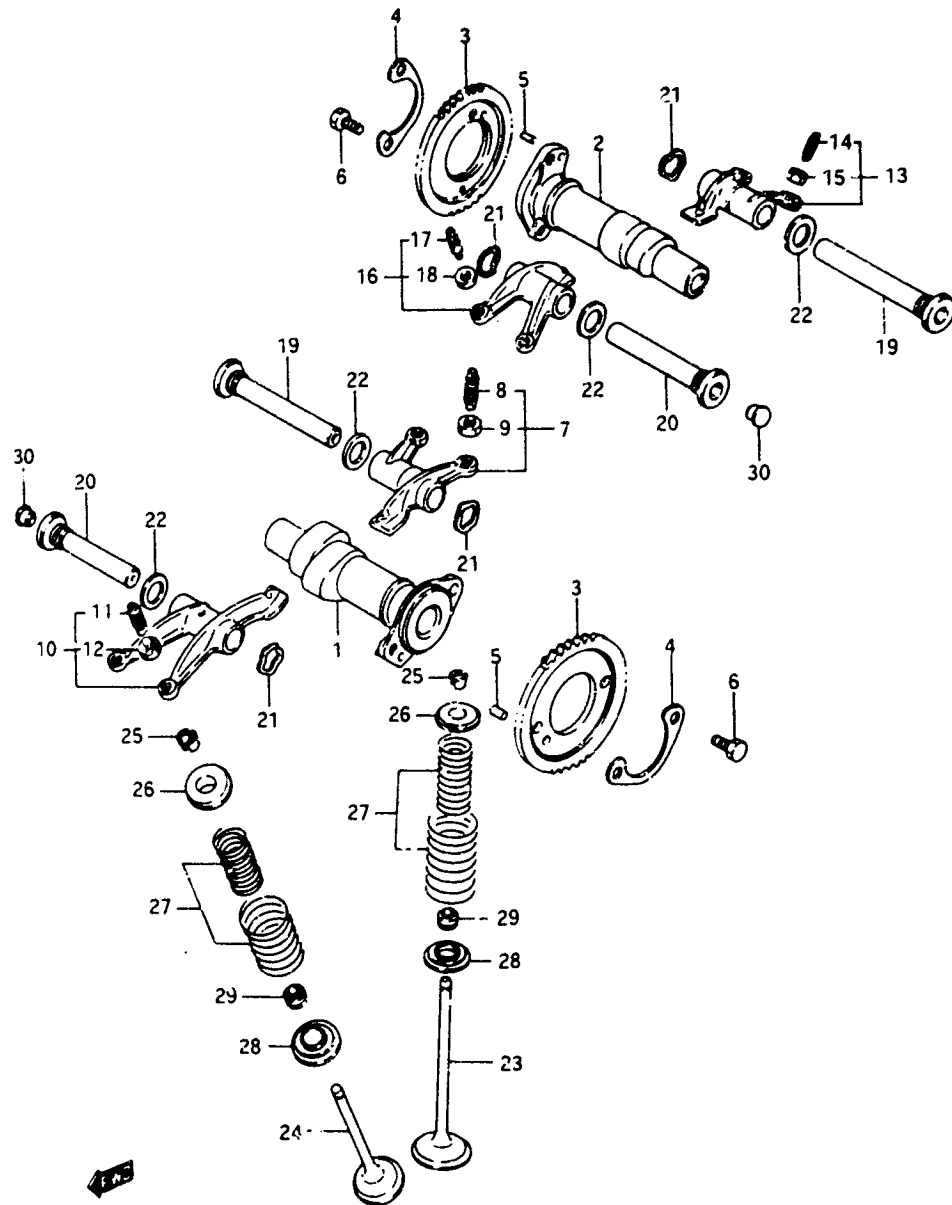


FIG. 8

**B - 12**

11

FIG. 8 ( B-12) CAMSHAFT - VALVE



REF. NO.	PART NO.	DESCRIPTION	QTY	REMARKS
1-1	12711-45C00	CAMSHAFT, front	1	
1-2	12711-45C10	CAMSHAFT, front	1	model M/N/P/R E18
2-1	12713-38A03	CAMSHAFT, rear	1	
2-2	12713-45C10	CAMSHAFT, rear	1	model M/N/P/R E18
3	12741-37400	SPROCKET, camshaft	2	
4	12747-44000	WASHER	2	
5	04221-05109	PIN	2	
6	09111-06027	BOLT (6x12.5)	4	
7	12840-38A01	ARM, valve rocker front IN	1	
8	12842-38A00	.SCREW	2	
9	12843-32400	.NUT	2	
10	12850-38A01	ARM, valve rocker front EX	1	
11	12842-38A00	.SCREW	2	
12	12843-32400	.NUT	2	
13	12845-38A01	ARM, valve rocker rear IN	1	
14	12842-38A00	.SCREW	2	
15	12843-32400	.NUT	2	
16	12855-38A01	ARM, valve rocker rear EX	1	
17	12842-38A00	.SCREW	2	
18	12843-32400	.NUT	2	
19	12861-38A00	SHAFT, valve rocker arm IN	2	
20	12871-38A00	SHAFT, valve rocker arm EX	2	
21	09164-12018	WASHER	4	
22	09168-14002	GASKET	4	
23	12911-36A02	VALVE, intake	4	
24	12912-38A02	VALVE, exhaust	4	
25	12932-24400	COTTER, valve	16	
26	12931-33200	RETAINER, spring	8	
27	12920-38A00	SPRING SET, valve	8	
28	12933-33201	SEAT, spring	8	
29	09289-05015	OIL SEAL	8	+09289-05003
30	09250-08012	CAP	4	