

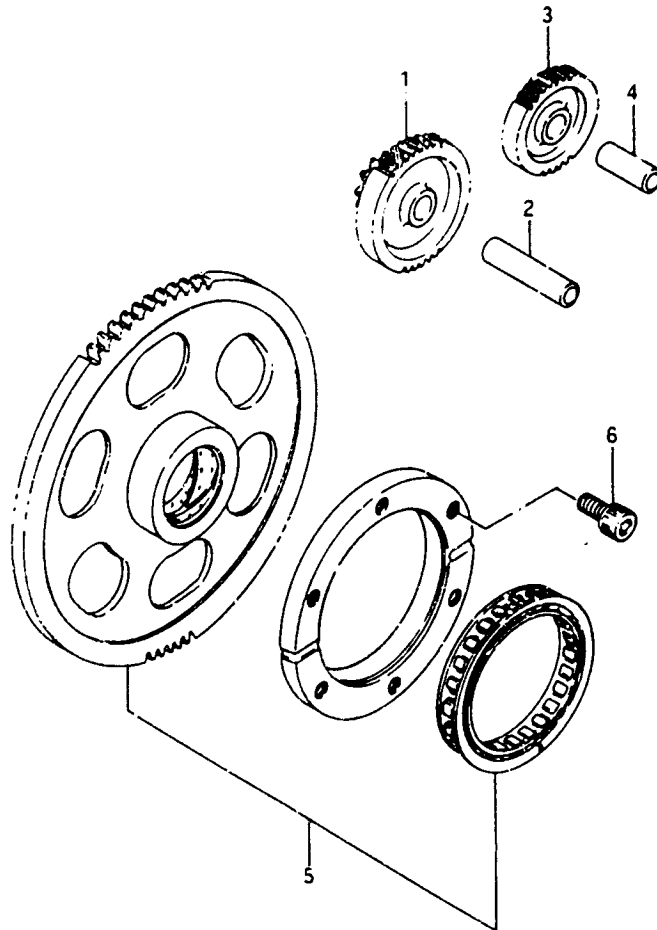
FIG.7

**B - 11**

10

FIG.7 ( B-11) STARTER CLUTCH

REF.NO.	PART NO.	DESCRIPTION	Q'TY	REMARKS
1	12611-38A01	GEAR, starter idle No.1	1	NT:12/41
2	09206-10003	PIN (L:43)	1	
3	12611-38A11	GEAR, starter idle No.2	1	NT:32
4	09206-10004	PIN (L:27)	1	
5-1	12600-38830	CLUTCH SET, starter	1	model L/M/N
5-2	12600-45840	CLUTCH SET, starter	1	model P/R
6	09106-08043	BOLT (8x16)	6	



5-11