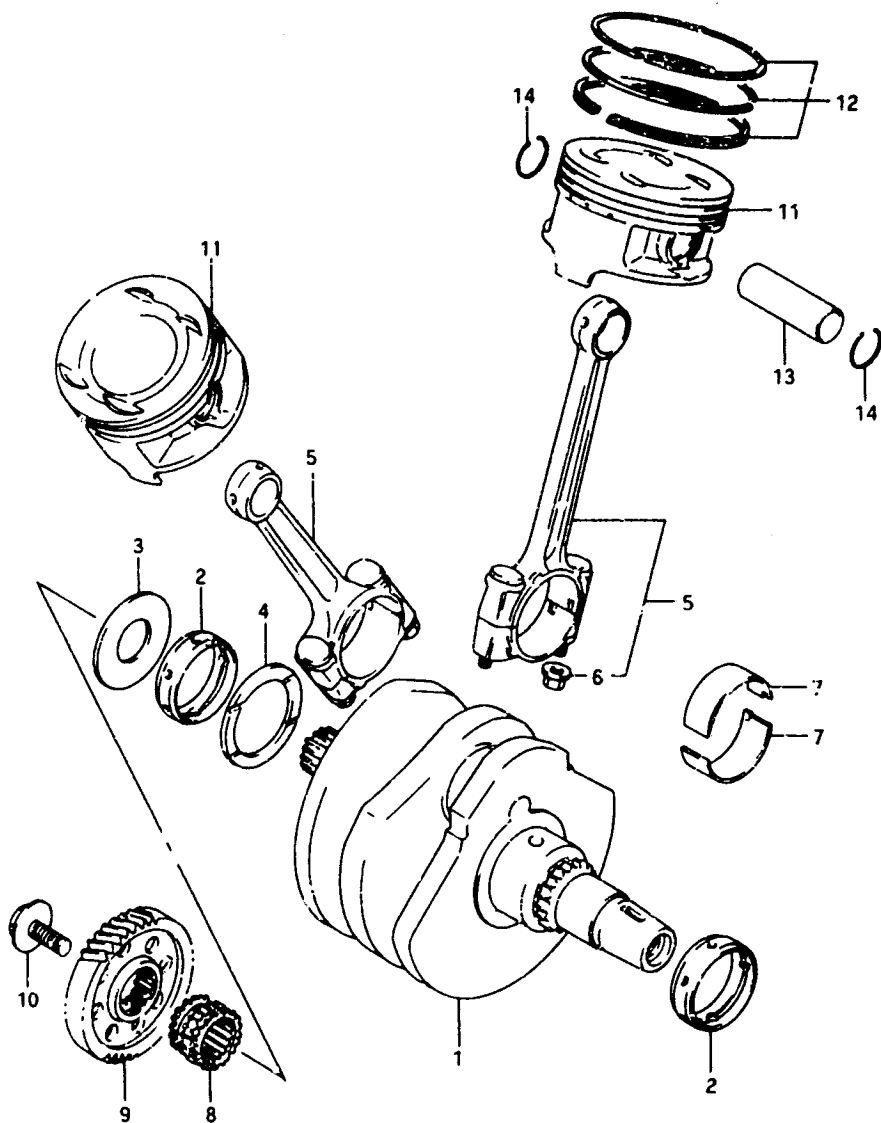


FIG.6

B - 10

FIG.6 (B-10) CRANKSHAFT



REF.NO.	PART NO.	DESCRIPTION	Q'TY	REMARKS
1	12000-45810	CRANKSHAFT	1	*12220-45CC1
2	12229-38A00	BEARING, crankshaft	2	Included Crankcase Set
3	12652-38A00	WASHER, crank thrust	1	
4-1	09160-48001	WASHER, crank thrust (No.1)	1	
4-2	09160-48002	WASHER, crank thrust (No.2)	1	
4-3	09160-48003	WASHER, crank thrust (No.3)	1	
4-4	09160-48004	WASHER, crank thrust (No.4)	1	
4-5	09160-48005	WASHER, crank thrust (No.5)	1	
4-6	09160-48006	WASHER, crank thrust (No.6)	1	
4-7	09160-48007	WASHER, crank thrust (No.7)	1	
4-8	09160-48008	WASHER, crank thrust (No.8)	1	
4-9	09160-48009	WASHER, crank thrust (No.9)	1	
4-10	09160-48010	WASHER, crank thrust (No.10)	1	
5	12160-45C10	ROD ASSY, connecting	2	
6	09159-09001	.NUT	4	
7-1	12164-45C00-0A0	BEARING, crank pin (Green)	4	
7-2	12164-45C00-0B0	BEARING, crank pin (Black)	4	
7-3	12164-45C00-0C0	BEARING, crank pin (Brown)	4	
7-4	12164-45C00-0D0	BEARING, crank pin (Yellow)	4	
7-5	12164-45C00-0E0	BEARING, crank pin (Blue)	4	
8	12731-38A00	SPROCKET, cam chain drive RH	1	
9	21111-38A00	GEAR, primary drive	1	
10	09103-12013	BOLT	1	
11-1	12111-45C00-0F0	PISTON	2	
11-2	12111-45C00-050	PISTON (OS:0.5)	2	OPT
11-3	12111-45C00-100	PISTON (OS:1.0)	2	OPT
12-1	12140-45C10	RING SET, piston	2	
12-2	12140-45C10-050	RING SET, piston (OS:0.5)	2	OPT
12-3	12140-45C10-100	RING SET, piston (OS:1.0)	2	OPT
13	12151-24A00	PIN, piston	2	
14	09381-20004	CIRCLIP	4	