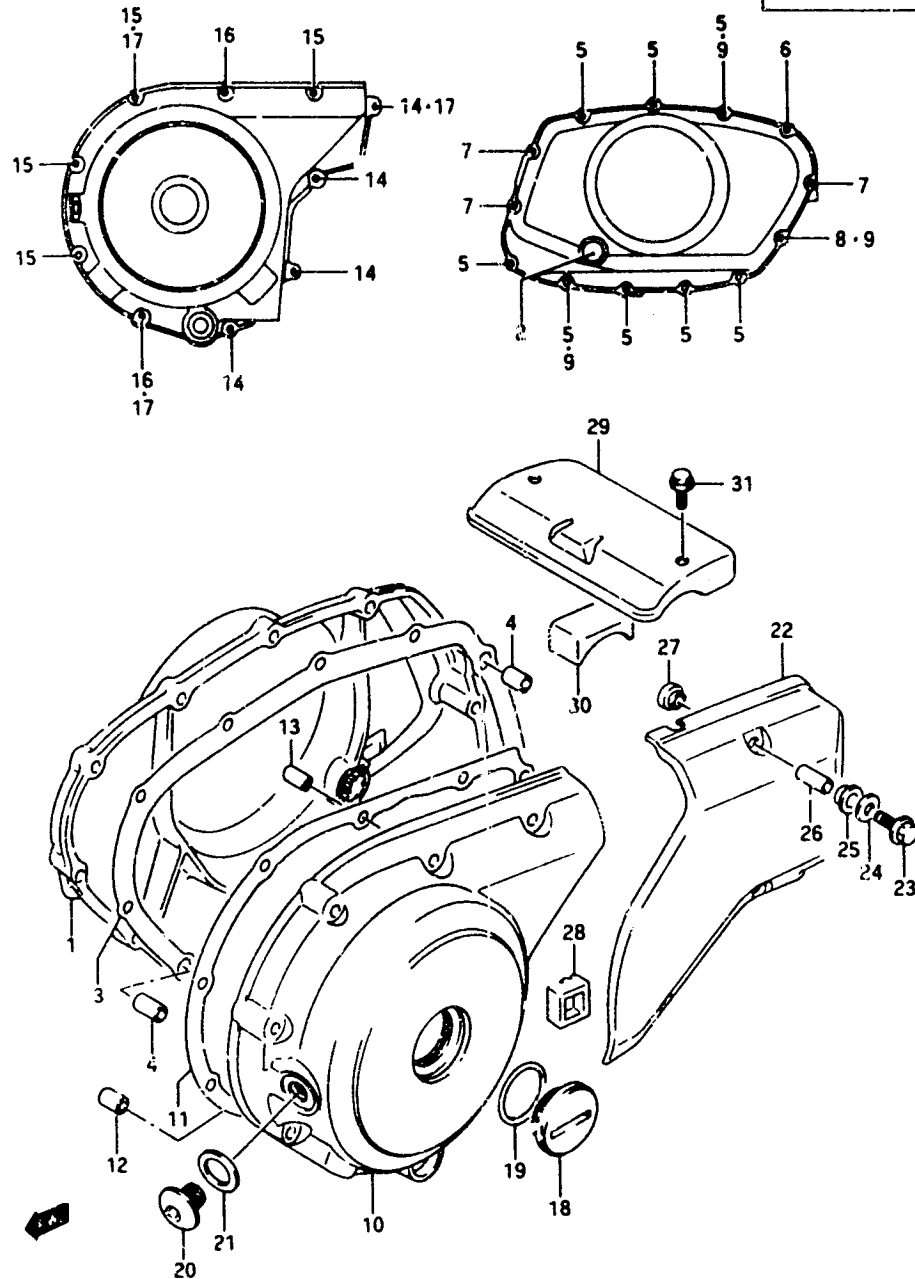


FIG. 5

B - 9

FIG. 5 (B-9) CRANKCASE COVER



Q'TY

REMARKS

| REF. NO. | PART NO. | DESCRIPTION | Q'TY | REMARKS |
|----------|-----------------|-------------------------|------|---------------|
| 1-1 | 11340-45C01 | COVER, clutch | 1 | model L/M/N/P |
| 1-2 | 11340-45C10 | COVER, clutch | 1 | model R |
| 2 | 11971-33210 | .LENS, oil level | 1 | |
| 3 | 11482-38A00-H17 | GASKET, clutch cover | 1 | |
| 4 | 04211-09189 | PIN | 2 | |
| 5 | 01547-06307 | BOLT | 8 | |
| 6 | 01547-06357 | BOLT | 1 | |
| 7 | 01547-06457 | BOLT | 3 | |
| 8 | 01547-06607 | BOLT | 1 | |
| 9 | 09168-06023 | GASKET | 3 | |
| 10-1 | 11351-45C00 | COVER, generator | 1 | model L/M/N/P |
| 10-2 | 11351-45C10 | COVER, generator | 1 | model R |
| 11 | 11483-38A00-H17 | GASKET, generator cover | 1 | |
| 12 | 09206-11005 | PIN | 1 | |
| 13 | 04211-09189 | PIN | 1 | |
| 14 | 01547-06307 | BOLT | 4 | |
| 15 | 01547-06407 | BOLT | 4 | |
| 16 | 01547-06507 | BOLT | 2 | |
| 17 | 09168-06023 | GASKET | 3 | |
| 18-1 | 09259-36014 | PLUG, hole | 1 | model L/M/N/P |
| 18-2 | 09259-36018 | PLUG, hole | 1 | model R |
| 19 | 09280-33004 | O RING | 1 | |
| 20 | 09248-14005 | PLUG, T.D.C | 1 | +09248-14011 |
| 21 | 09168-14002 | GASKET | 1 | |
| 22-1 | 11361-45C00 | COVER, secondary drive | 1 | model L/M/N/P |
| 22-2 | 11361-45C10 | COVER, secondary drive | 1 | model R |
| 23 | 01547-06457 | BOLT | 3 | |
| 24 | 09160-06097 | WASHER | 3 | |
| 25 | 09161-09006 | CUSHION, outer | 3 | |
| 26 | 09180-06160 | SPACER | 3 | |
| 27 | 09161-09005 | CUSHION, inner | 3 | |
| 28 | 11369-38A00 | DAMPER, secondary cover | 1 | |
| 29 | 31210-38A00 | COVER, starter motor | 1 | |
| 30 | 31212-38A00 | DAMPER | 1 | |
| 31 | 01547-05087 | BOLT | 2 | |

VX800R E2