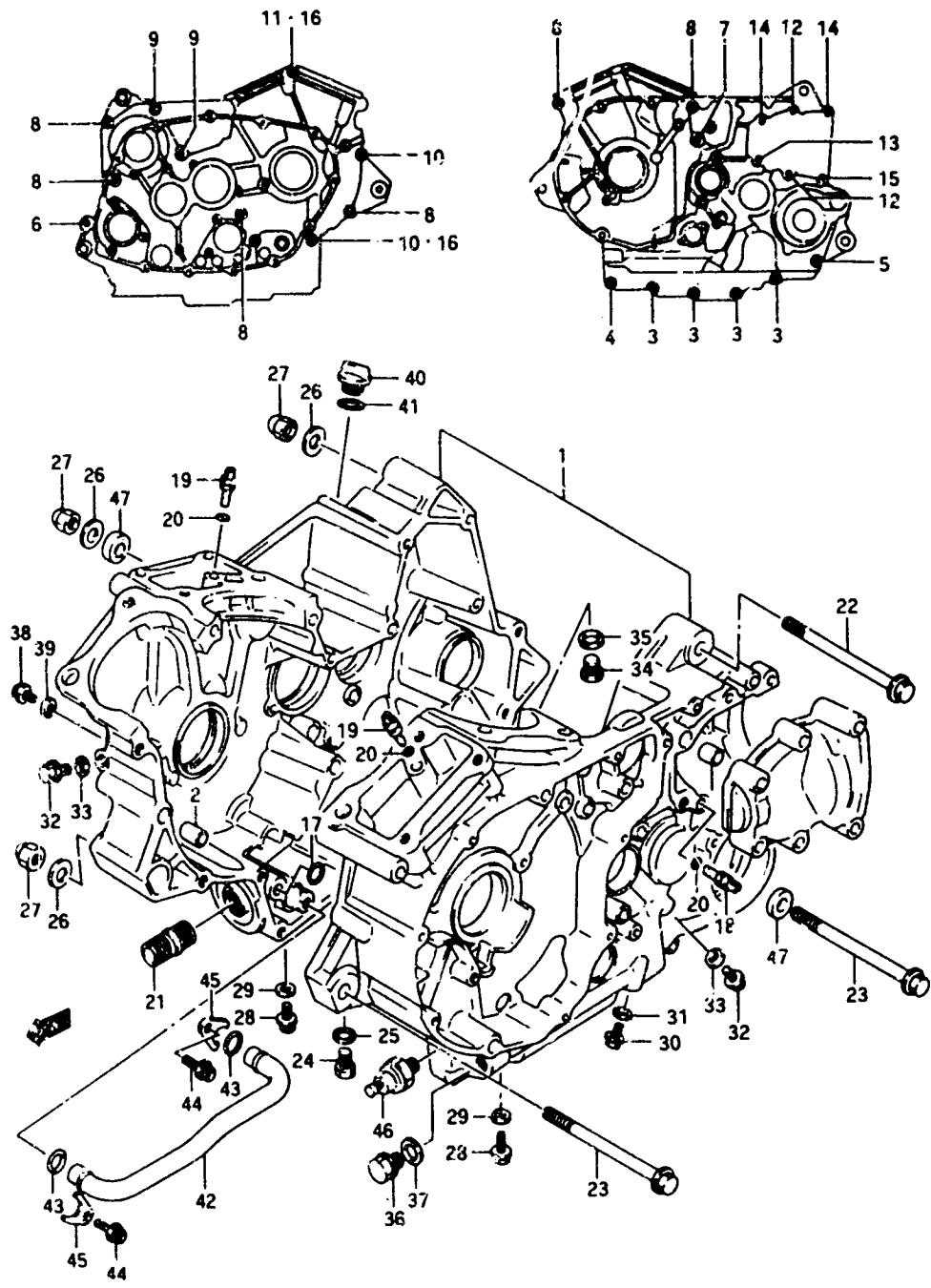


FIG. 4

B-8

FIG. 4 (R-8) CRANKCASE



REF. NO.	PART NO.	DESCRIPTION	Q'TY	REMARKS
28-1	01517-08128	PLUG, oil gallery	2	model L/M/N/P
28-2	01550-08123	PLUG, oil gallery	2	model R
29	09168-08015	GASKET	2	
30-1	09247-10061	PLUG, oil gallery	1	model L
30-2	09247-10008	PLUG, oil gallery	1	model M/N/P/R
31	09168-10002	GASKET	1	
32-1	01517-06108	PLUG, oil gallery	2	model L/M/N/P
32-2	01550-06103	PLUG, oil gallery	2	model R
33	09168-06023	WASHER	2	
34	09248-13008	PLUG, oil gallery	1	
35	09168-16002	GASKET	1	
36-1	09247-14012	PLUG, oil gallery	1	model L/M/N
36-2	09247-14001	PLUG, oil gallery	1	model P
36-3	09247-14026	PLUG, oil gallery	1	model R
37	09168-14002	GASKET	1	
38-1	07120-08127	PLUG, oil gallery	1	model L/M/N/P
38-2	07120-08123	PLUG, oil gallery	1	model R
39	09168-08015	GASKET	1	
40	09259-20017	PLUG, oil filler	1	
41	09280-17003	O RING	1	
42	11451-38A00	PIPE, oil gallery	1	
43	09280-15008	O RING	2	
44-1	07120-06128	BOLT	2	model L/M/N/P
44-2	07120-06123	BOLT	2	model R
45	11461-38A00	CLAMP	2	
46	37820-33000	SWITCH, oil pressure	1	*37820-33200
47	41932-45C00	SPACER, engine mounting	2	

VX800R E2

AIR CLEANER.....	C-8	CYLINDER.....	E-8	FUEL COCK.....	F-10	OPTIONAL.....	B-12	SEAT.....	F-11	WIRING HARNESS.....	E-16
BATTERY.....	E-4	CYLINDER HEAD.....	B-2	FUEL TANK.....	F-8	PROPELLER SHAFT.....	D-9	SECOND DRIVE GEAR.....	D-8		
CAN CHAIN.....	B-13	ELECTRICAL.....	F-5	GEAR SHIFT.....	D-7	RADIATOR.....	C-13	SPEEDOMETER.....	E-6		