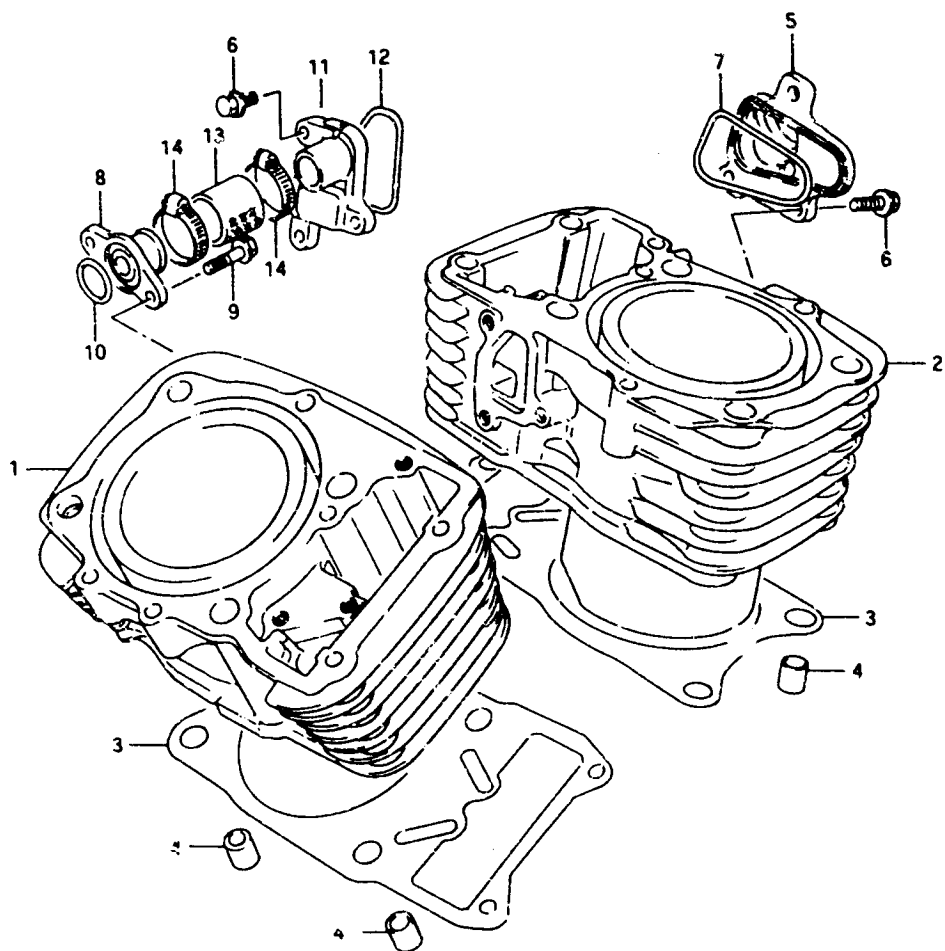


FIG.3

B - 6

5

FIG.3 (B-6) CYLINDER



REF.NO.	PART NO.	DESCRIPTION	Q'TY	REMARKS
1-1	11210-45C01	CYLINDER, front	1	model L/M/N/P
1-2	11210-45C20	CYLINDER, front	1	model R
2-1	11220-45C01	CYLINDER, rear	1	model L/M/N/P
2-2	11220-45C20	CYLINDER, rear	1	model R
3-1	11241-45C20	GASKET, cylinder	2	
3-2	11241-45C10	GASKET, cylinder	2	E18
4	09206-13001	PIN	4	
5-1	11237-45C00	CHAMBER, water inlet	1	model L/M/N/P
5-2	11237-45C10	CHAMBER, water inlet	1	model R
6-1	01547-06207	BOLT	6	model L/M/N/P
6-2	01547-06203	BOLT	6	model R
7	11247-38A00	O RING	1	
8-1	11235-45C00	UNION, water inlet	1	model L/M/N/P
8-2	11235-45C10	UNION, water inlet	1	model R
9-1	01547-06167	BOLT	2	model L/M/N/P
9-2	01547-06163	BOLT	2	model R
10	09280-16005	O RING	1	
11-1	11236-45C00	CHAMBER, water outlet	1	model L/M/N/P
11-2	11236-45C10	CHAMBER, water outlet	1	model R
12	11246-38A00	O RING	1	
13	17853-38A00	HOSE, cylinder joint	1	
14	09402-25502	CLAMP	2	

VX800R E2