

FIG.2

B - 5

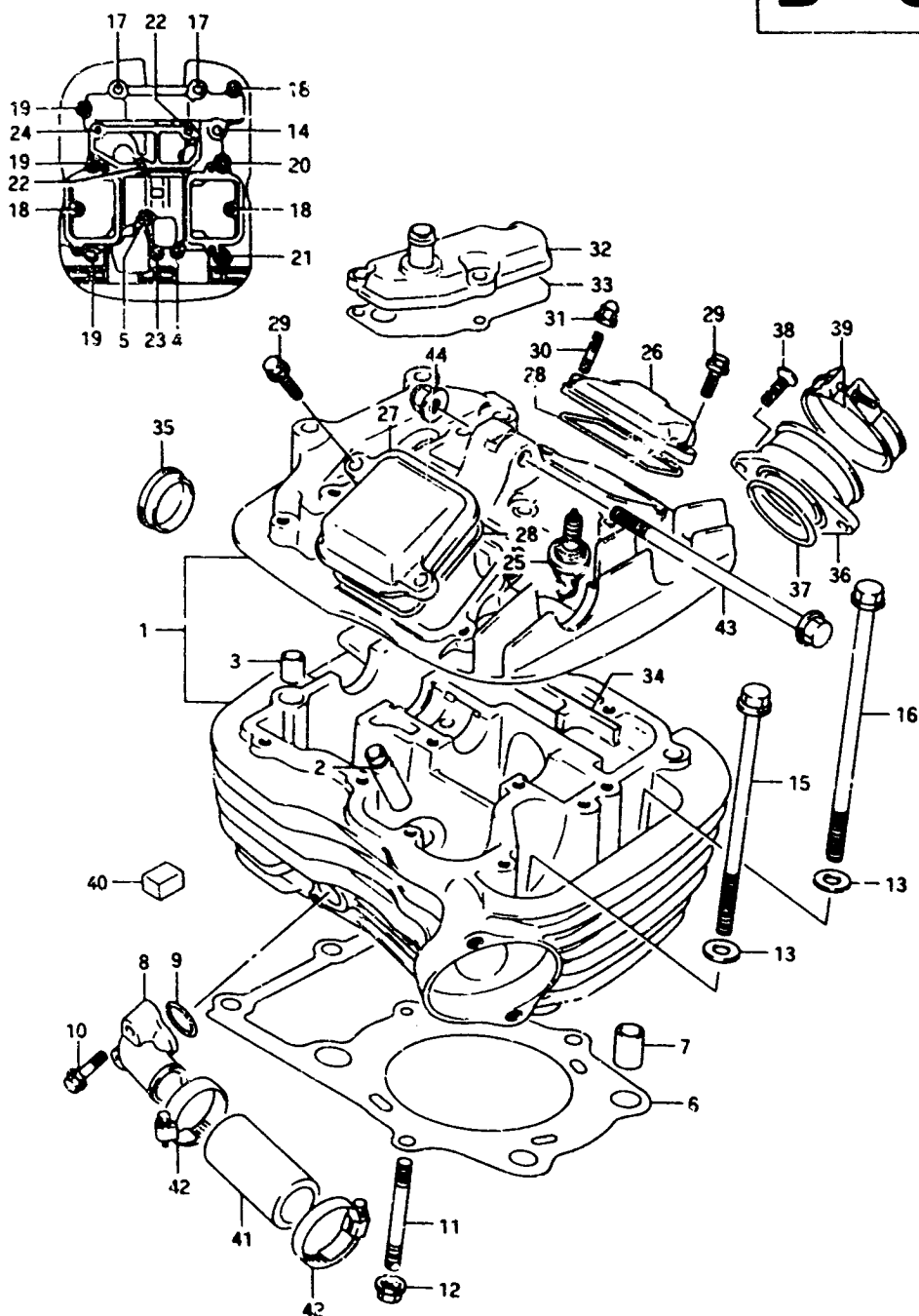


FIG.2 (B- 5) CYLINDER HEAD (REAR)

REF. NO.	PART NO.	DESCRIPTION	Q'TY	REMARKS
25-1	09482-00334	SPARK PLUG (NGK,DPR8EA-9)	1	
25-2	09482-00335-111	SPARK PLUG (ND,X24EPR-U9)	1	
25-3	09482-00354	SPARK PLUG (NGK,DPR7EA-9)	1	OPT
25-4	09482-00355-111	SPARK PLUG (ND,X22EPR-U9)	1	OPT
25-5	09482-00330	SPARK PLUG (NGK,DPR9EA-9)	1	OPT
25-6	09482-00731-111	SPARK PLUG (ND,X27EPR-U9)	1	OPT
26-1	11175-41C00	CAP, inspection IN	1	model L/M/N
26-2	11175-38A10	CAP, inspection IN	1	model P/R
27-1	11176-45C00	CAP, inspection EX	1	model L/M/N
27-2	11176-38A10	CAP, inspection EX	1	model P/R
28	11177-38A00	O RING, inspection cap	2	
29-1	01547-06207	BOLT	3	model L/M/N/P
29-2	01547-06203	BOLT	3	model R
30	01421-06168	STUD BOLT	1	
31-1	08313-21067	NUT	1	model L/M/N/P
31-2	08313-20063	NUT	1	model R
32	11180-45C10	COVER, breather	1	+11180-45C00
33	11187-38A02-H17	GASKET, breather cover	1	
34	11179-38A00	PLATE, head cover	1	
35	09241-30004	PLUG, cylinder head	1	
36	13129-45C00	PIPE, intake rear	1	
37	09280-40003	O RING	1	
38-1	02122-06205	SCREW	2	model L/M/N/P
38-2	02122-06203	SCREW	2	model R
39	13170-05A00	CLAMP, intake pipe	1	
40	11152-38A00	PAD, rubber	6	
41	17854-38A00	HOSE, cylinder head joint	1	
42	09402-25502	CLAMP	2	
43	09103-08212	BOLT (8x135)	1	
44	09159-C8064	NUT	1	

VX800R E2

AIR CLEANER	C-8	CYLINDER	B-6	FUEL COCK	F-10	OPTIONAL	H-12	SEAT	F-11	WIRING HARNESS	E-16
BATTERY	E-4	CYLINDER HEAD	B-2	FUEL TANK	F-8	PROPELLER SHAFT	D-9	SECOND DRIVE GEAR	D-6		
CAN CHAIN	B-13	ELECTRICAL	E-5	GEAR SHIFT	D-7	RADIATOR	C-13	SPEEDOMETER	E-6		