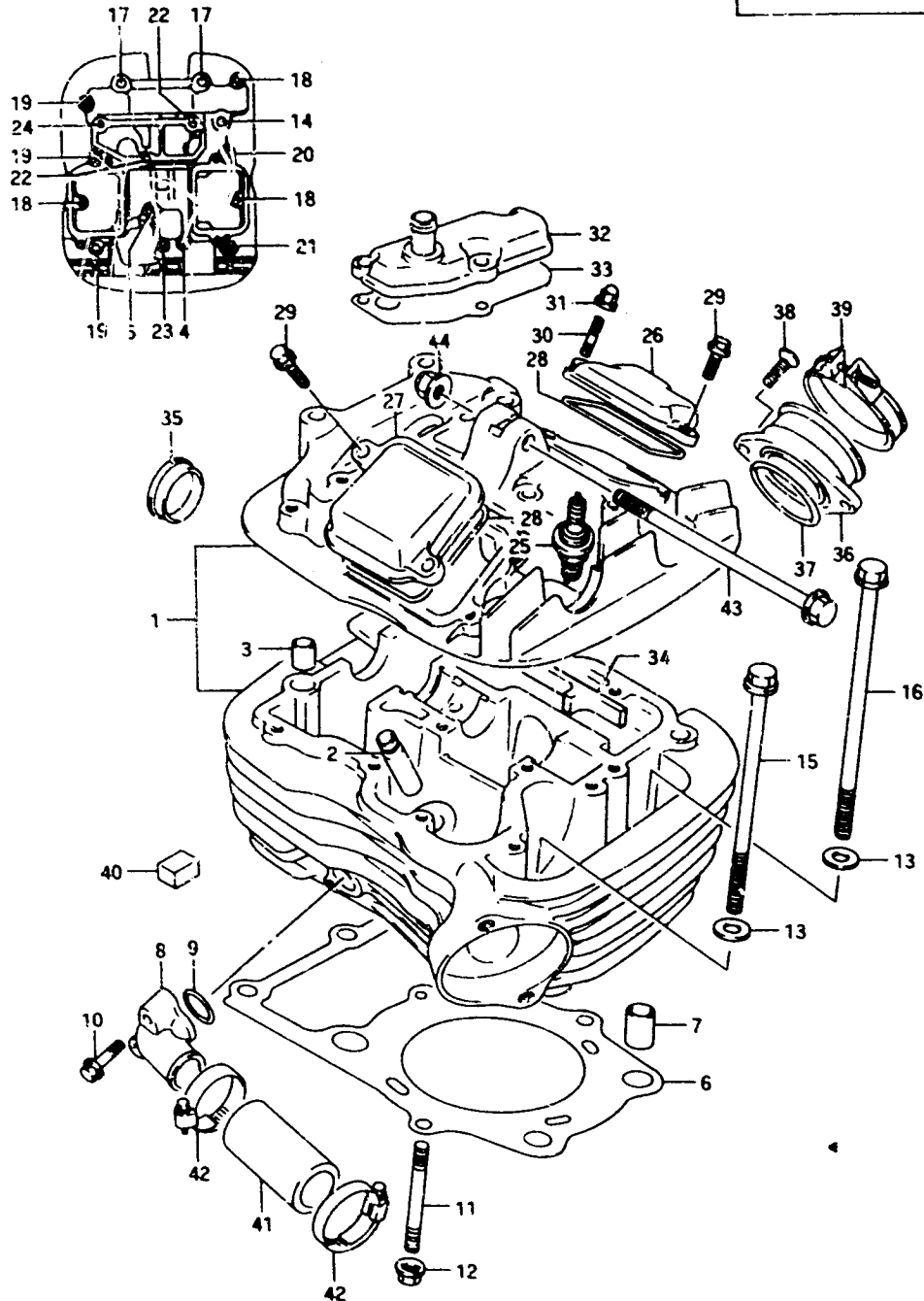


FIG.2

E - 4

FIG.2 (B- 4) CYLINDER HEAD (REAR)



REF.NO.	PART #1	DESCRIPTION	QTY	REMARKS
1-1	11103-45C00	HEAD ASSY, cylinder rear	1	model L/M/N/P
1-2	11103-45C20	HEAD ASSY, cylinder rear	1	model R
2	11115-38A71	.GUIDE, valve	4	
3	09206-11011	.PIN	2	
4-1	09103-06101	.BOLT (6x50)	1	model L/M/N/P
4-2	09103-06502	.BOLT (6x50)	1	model R
5	09103-06102	.BOLT (6x55)	1	
6	11142-45C00	GASKET, cylinder head rear	1	
7	09206-13001	PIN	2	
8	11169-45C10	UNION, cylinder head water	1	11169-45C00
9	09280-18004	O RING	1	
10-1	01547-06257	BOLT	2	model L/M/N/P
10-2	01547-06253	BOLT	2	model R
11	09108-08144	STUD BOLT (L:40)	2	
12-1	08316-16088	NUT	2	model L/M/N/P
12-2	08316-10083	NUT	2	model R
13	09160-10039	WASHER	2	
14-1	09103-08040	BOLT (8x140)	1	model L/M/N/P
14-2	09103-08502	BOLT (8x140)	1	model R
15	09103-10133	BOLT (10x155)	2	
16	09103-10134	BOLT (10x165)	2	
17-1	09103-08246	BOLT (8x235)	2	model L/M/N/P
17-2	09103-08501	BOLT (8x235)	2	model R
18-1	01517-06257	BOLT	3	model L/M/N/P
18-2	01550-06253	BOLT	3	model R
19-1	01517-06307	BOLT	3	model L/M/N/P
19-2	01550-06303	BOLT	3	model R
20-1	07120-06308	BOLT	1	model L/M/N/P
20-2	07120-06303	BOLT	1	model R
21-1	01517-06408	BOLT	1	model L/M/N/P
21-2	01550-06403	BOLT	1	model R
22	09103-06102	BOLT (6x55)	2	
23-1	09103-06101	BOLT (6x50)	1	model L/M/N/P
23-2	09103-06502	BOLT (6x50)	1	model R
24-1	01517-06207	BOLT	1	model L/M/N/P
24-2	01550-06203	BOLT	1	model R

VX800R E2

AIR CLEANER.....	C-8	CYLINDER.....	B-4	FUEL COCK.....	F-10	OPTIONAL.....	B-12	SEAT.....	F-11	WIRING HARNESS.....	E-16
BATTERY.....	E-4	CYLINDER HEAD.....	B-2	FUEL TANK.....	F-8	PROPELLER SHAFT.....	D-9	SECOND DRIVE GEAR.....	D-6		
CAM CHAIN.....	B-14	ELECTRICAL.....	B-2	CRANK CASE.....	F-2		C-14	DIFFERENTIAL.....	F-6		