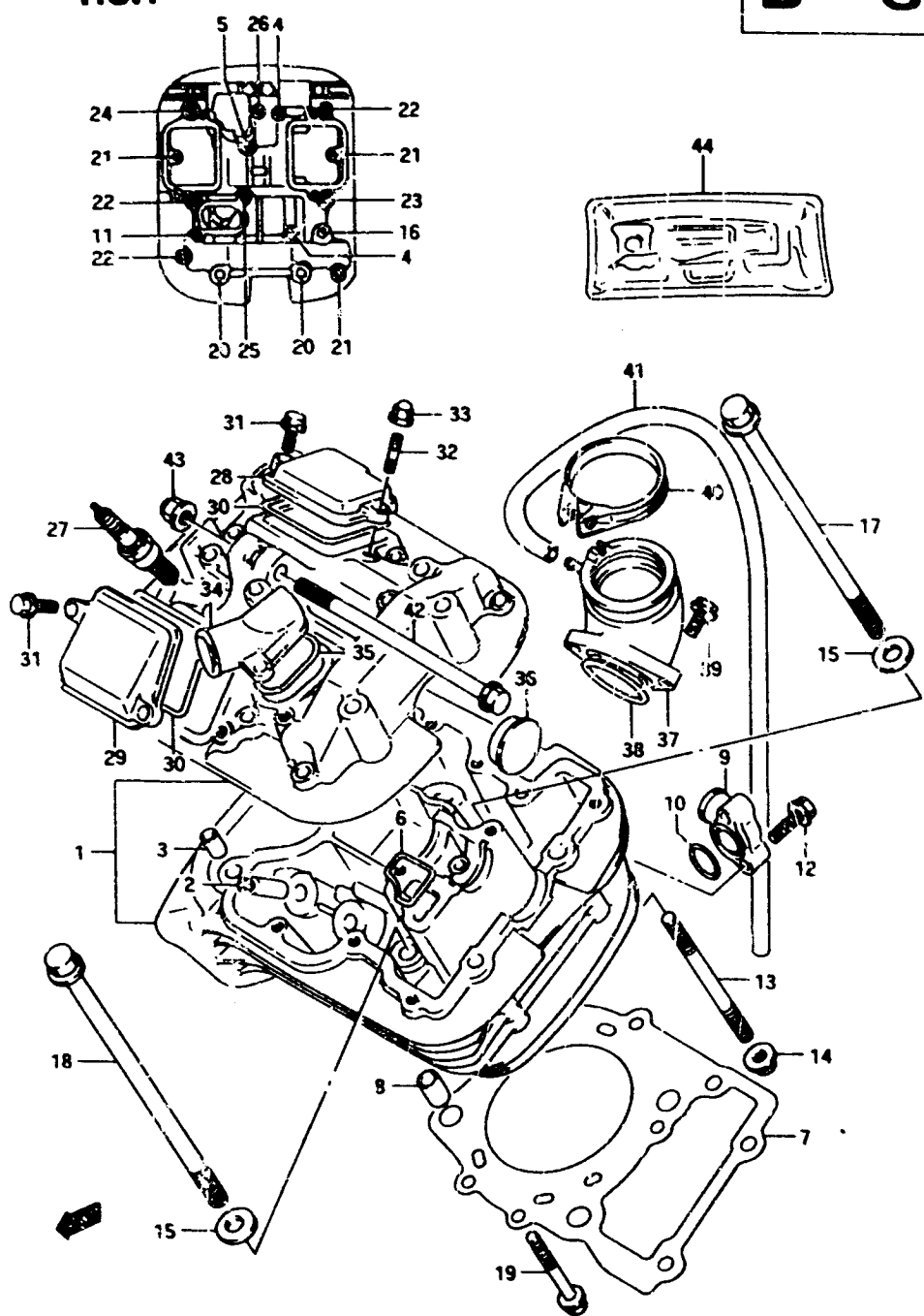


FIG. 1.

**B - 3**

FIG. 1 ( B- 3) C' LINDER HEAD (FRONT)



RE. NO.	PART NO.	DESCRIPTION	Q'TY	REMARKS
26-1	09103-06101	BOLT (6x50)	1	model L/M/N/P
26-2	09103-06502	BOLT (6x50)	1	model R
27-1	09482-00334	SPARK PLUG (NGK,DPR8EA-9)	1	
27-2	09482-00335-111	SPARK PLUG (NO,X24EPR-U9)	1	
27-3	09482-00334	SPARK PLUG (NGK,DFR7EA-9)	1	OPT
27-4	09482-00335-111	SPARK PLUG (NO,X22EPR-U9)	1	OPT
27-5	09482-00330	SPARK PLUG (NGK,DFR9EA-9)	1	OPT
27-6	09482-00331-111	SPARK PLUG (NO,X27EPR-U9)	1	OPT
28-1	11175-45C00	CAP, inspection IN	1	model L/M/N
28-2	11175-38A10	CAP, inspection IN	1	model P/R
29-1	11176-45C00	CAP, inspection EX	1	model L/M/N
29-2	11176-38A10	CAP, inspection EX	1	model P/R
30	11177-38A00	O RING, inspection cap	2	
31-1	01547-06207	BOLT	3	model L/M/N/P
31-2	01547-06203	BOLT	3	model R
32	01421-06168	STUD BOLT	1	
33-1	08313-21067	NUT	1	model L/M/N/P
33-2	08313-20633	NUT	1	model R
34-1	11181-45C00	UNION, water outlet	1	model L/M/N
34-2	11181-45C10	UNION, water outlet	1	model P/R
35	11182-38A00	O RING, water union	1	
36	09241-30904	PLUG, cylinder head	1	
37	13110-45C00	PIPE, intake front	1	
38	09260-40003	O RING	1	
39-1	01517-06164	BOLT	2	model L/M/N/P
39-2	01550-06163	BOLT	2	model R
40	13170-05A00	CLAMP, intake pipe	1	
41	09352-50903-00A	HOSE, vacuum	1	L:1000-730
42	09103-08268	BOLT (8x150)	1	
43	09159-08064	NUT	1	
44-1	11402-45811	GASKET SET	1	
44-2	11402-45821	GASKET SET	1	E18

VX860R E2