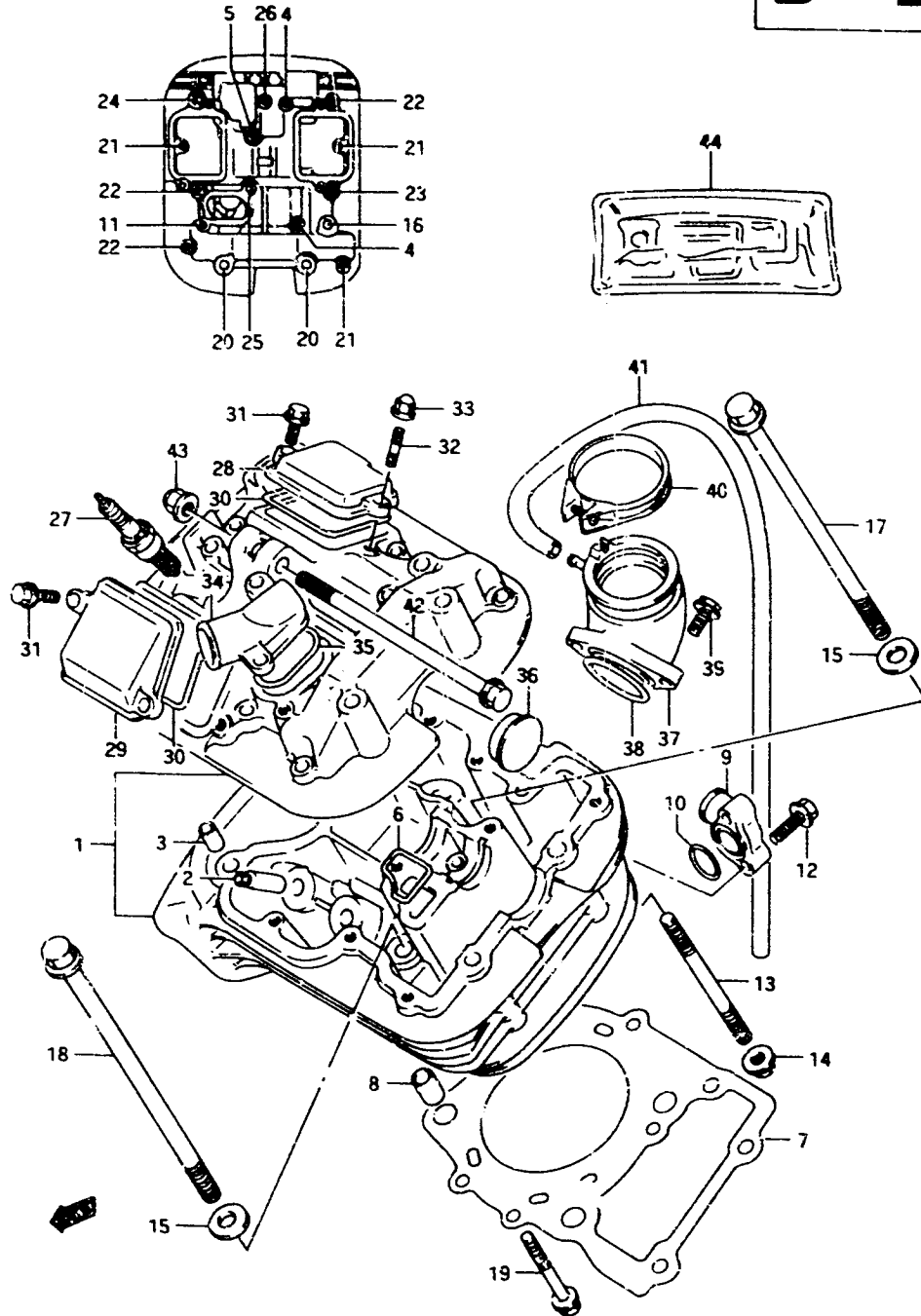


FIG.1

B - 2

FIG.1 (B - 2) CYLINDER HEAD (FRONT)



REF. NO.	PART NO.	DESCRIPTION	QTY	REMARKS
1-1	11101-45C00	HEAD ASSY, cylinder front	1	model L/M/N/P
1-2	11101-45C20	HEAD ASSY, cylinder front	1	model R
2	11115-38A71	.GUIDE, valve	4	
3	09206-11011	.PIN	2	
4-1	09103-06101	.BOLT (6x50)	2	model L/M/N/P
4-2	09103-06502	.BOLT (6x50)	2	model R
5	09103-06102	.BOLT (6x55)	1	
6	11123-38A00	O RING, cylinder head cover	1	
7	11141-45C00	GASKET, cylinder head front	1	
8	09206-13001	PIN	2	
9	11169-45C10	UNION, cylinder head water	1	+11169-45C00
10	09280-18004	O RING	1	
11-1	01517-06207	BOLT	1	model L/M/N/P
11-2	01550-06203	BOLT	1	model R
12-1	01547-06257	BOLT	2	model L/M/N/P
12-2	01547-06253	BOLT	1	model R
13	09108-08144	STUD BOLT (L:40)	1	
14-1	08316-16028	NUT	1	model L/M/N/P
14-2	08316-10083	NUT	1	model R
15	09160-10039	WASHER	4	
16-1	09103-08040	BOLT (8x140)	1	model L/M/N/P
16-2	09103-08502	BOLT (8x140)	1	model R
17	09103-10133	BOLT (10x155)	2	
18	09103-10134	BOLT (10x165)	2	
19-1	01517-06408	BOLT	2	model L/M/N/P
19-2	01550-06403	BOLT	2	model R
20-1	09103-08246	BOLT (8x235)	2	model L/M/N/P
20-2	09103-08501	BOLT (8x235)	2	model R
21-1	01517-06257	BOLT	3	model L/M/N/P
21-2	01550-06253	BOLT	3	model R
22-1	01517-06307	BOLT	3	model L/M/N/P
22-2	01550-06303	BOLT	3	model R
23-1	07120-06303	BOLT	1	model L/M/N/P
23-2	07120-06303	BOLT	1	model R
24-1	01517-06409	BOLT	1	model L/M/N/P
24-2	01550-06403	BOLT	1	model R
25	09103-06102	BOLT (6x55)	1	

VX800R E2